



Featuring

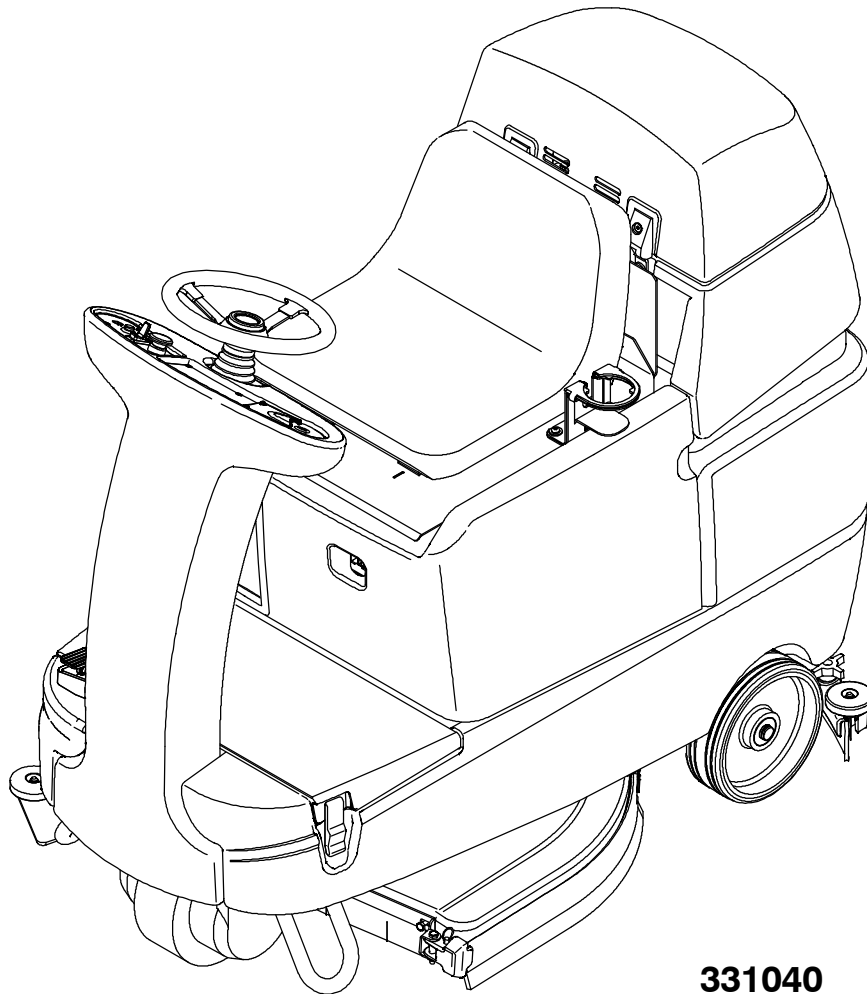
FaST[®]
Foam Scrubbing Technology

The safe scrubbing alternative™

Hygienic[™] Fully Cleanable Tanks

T7

Parts Manual



331040
Rev. 00





This manual is furnished with each new TENNANT T7 machine.

This manual consists of the How To Use This Manual; Standard Parts; Options; Breakdowns; and Cross Reference sections.

MACHINE DATA

Please fill out at time of installation for future reference.

Machine Model Number - T7

Machine Serial Number - _____

Machine Options - _____

NOBLES Representative/phone no. - _____

Customer ID Number - _____

Date of Installation - _____

Manual Number - 331040

Revision: 00

Published: 11-04

FaST Foam Scrubbing Technology logo is a United States registered trademark of Tennant Company.

Copyright © 2004 TENNANT, Printed in U.S.A.

HOW TO USE THIS MANUAL

This section on *HOW TO USE THIS MANUAL* will tell you how to:

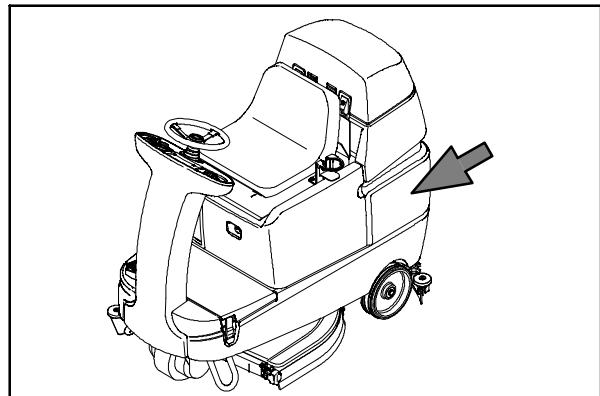
- Find important machine information for ordering correct repair parts.
- Find TENNANT part numbers.
- Order TENNANT parts and supplies.

IMPORTANT INFORMATION

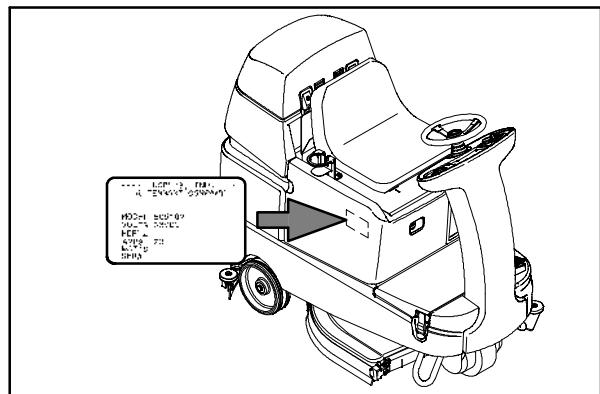
When placing an order for parts, the machine model and machine serial number are important. Refer to the *MACHINE DATA* box which is filled out during the installation of your machine. The *MACHINE DATA* box is located on the inside of the front cover of this manual.

MACHINE DATA	
<i>Please fill out at time of installation for future reference.</i>	
Machine Model Number - T7	
Machine Serial Number - _____	
Machine Options - _____	
NOBLES Representative/phone no. - _____	
Customer ID Number - _____	
Date of Installation - _____	
Manual Number - 331040	
Revision: 00	
Published: 11-04	

The model number of your machine is on the side of the machine.



The serial number of your machine is printed on the machine data plate located as shown.



HOW TO USE THIS MANUAL

FINDING A TENNANT PART NUMBER

This manual contains the following sections:

- HOW TO USE THIS MANUAL
- STANDARD PARTS
- OPTIONS
- BREAKDOWNS
- CROSS REFERENCE

The STANDARD PARTS section lists repair parts for standard machines. They are grouped in this general order:

- General wear parts.
- Machine frame and related parts.
- Machine propelling system.
- Scrubbing components.
- Electrical parts.

The OPTION section lists repair parts of options.

The BREAKDOWN section lists available repair parts of major components.

All sections in this manual consist of parts illustrations and corresponding parts lists.

The parts illustrations are numbered with **Ref** numbers which refer to corresponding parts lists.

The parts lists include a number of columns of information:

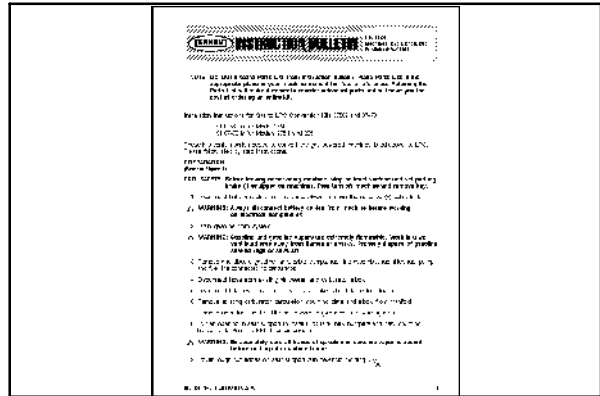
- **Ref** - column refers to the reference number on the parts illustration.
 ▽ - indicates the part is an assembly.
 ▲ - indicates the part is included in the assembly listed just before it.
- **TENNANT Part No.** - column lists the TENNANT part number for the part.
- **Description** - column is a brief description of the part.
- **Qty.** - column lists the quantity of that part used in that area of the machine.

NOTE: Serial numbers are indicated at the bottom of the parts list. Serial numbers change when the machine design has been modified. The most current design of the machine is shown in the main illustration, older designs are boxed in a corner of the illustration.

STANDARD PARTS			
Ref	Quantity	Description	Qty.
1	1	Frame, Std. 200" x 30" x 30"	1
2	1	Frame, Std. 200" x 30" x 30"	1
3	1	Frame, Std. 200" x 30" x 30"	1
4	1	Frame, Std. 200" x 30" x 30"	1
5	1	Frame, Std. 200" x 30" x 30"	1
6	1	Frame, Std. 200" x 30" x 30"	1
7	1	Frame, Std. 200" x 30" x 30"	1
8	1	Frame, Std. 200" x 30" x 30"	1
9	1	Frame, Std. 200" x 30" x 30"	1
10	1	Frame, Std. 200" x 30" x 30"	1
11	1	Frame, Std. 200" x 30" x 30"	1
12	1	Frame, Std. 200" x 30" x 30"	1
13	1	Frame, Std. 200" x 30" x 30"	1
14	1	Frame, Std. 200" x 30" x 30"	1
15	1	Frame, Std. 200" x 30" x 30"	1
16	1	Frame, Std. 200" x 30" x 30"	1
17	1	Frame, Std. 200" x 30" x 30"	1
18	1	Frame, Std. 200" x 30" x 30"	1
19	1	Frame, Std. 200" x 30" x 30"	1
20	1	Frame, Std. 200" x 30" x 30"	1
21	1	Frame, Std. 200" x 30" x 30"	1
22	1	Frame, Std. 200" x 30" x 30"	1
23	1	Frame, Std. 200" x 30" x 30"	1
24	1	Frame, Std. 200" x 30" x 30"	1
25	1	Frame, Std. 200" x 30" x 30"	1
26	1	Frame, Std. 200" x 30" x 30"	1
27	1	Frame, Std. 200" x 30" x 30"	1
28	1	Frame, Std. 200" x 30" x 30"	1
29	1	Frame, Std. 200" x 30" x 30"	1
30	1	Frame, Std. 200" x 30" x 30"	1

NOTE: If a service kit is installed on your machine, be sure to keep the INSTRUCTION BULLETIN which came with the kit. It contains repair parts numbers needed for ordering future parts.

NOTE: Fasteners used in this machine may be metric or non-metric. Take care when replacing hardware to replace with same thread size.



PLACING AN ORDER

Orders may be placed by phone, fax, or by mail. Phone orders may need written confirmation. Follow the steps below to insure prompt delivery:

1. Identify the model number of your machine.
2. Identify the serial number of your machine.
3. Find the part number of the part you need. Do not order by page number or reference number. If you are not able to find the part number, call your TENNANT representative for help or send the old part as a sample.
4. Determine the quantity of the part you need.
5. Provide the following company information:
 - Company name
 - Customer ID Number
 - Shipping address
 - Billing address
 - First and last name of person ordering parts
 - Telephone number
 - Purchase order number
6. Provide definitive shipping instructions.

HOW TO USE THIS MANUAL

Any claim for loss or damage to a shipment in transit should be filed promptly with the transportation company making the delivery. Shipments will be complete unless the packing list or order acknowledgement indicates items back ordered.

If parts received are suspected to be incorrect or defective, please contact the TENNANT representative from whom you ordered the part. They will give authorization for return and/or handle replacement shipments when required.

SECTION 2

Contents	Page
Fig. 1 - General Recommended Maintenance Items	2-3
Fig. 2 - Replacement Brushes, 650 mm (26 in) .	2-4
Fig. 3 - Replacement Brushes, 800 mm (32 in) .	2-6
Fig. 4 - Main Frame Group	2-8
Fig. 5 - Seat Group	2-10
Fig. 6 - Steering Group	2-12
Fig. 7 - Instrument Panel Group	2-14
Fig. 8 - Front Drive Wheel Group	2-16
Fig. 9 - Brake Pedal and Accelerator Pedal Group	2-18
Fig. 10 - Scrub Head Lift Group	2-20
Fig. 11 - Scrub Head Drive Motor Group, 650 mm (26 in)	2-22
Fig. 12 - Scrub Head Drive Motor Group, 800 mm (32 in)	2-24
Fig. 13 - Side Squeegee Group, Right	2-26
Fig. 14 - Side Squeegee Group, Left	2-28
Fig. 15 - Recovery Tank Group	2-30
Fig. 16 - Vacuum Fan Group	2-32
Fig. 17 - Solution Tank Group	2-34
Fig. 18 - Tanks Drain Group	2-36
Fig. 19 - Battery Group, 235Ah	2-38
Fig. 20 - Battery Group, 335Ah	2-40
Fig. 21 - Rear Squeegee Lift Group	2-42
Fig. 22 - Rear Squeegee Group, 650 mm (26 in)	2-44
Fig. 23 - Rear Squeegee Group, 800 mm (32 in)	2-46
Fig. 24 - Circuit Board Group	2-48
Fig. 25 - Electrical Group	2-50
Fig. 26 - Electrical Schematic	2-52
Fig. 27 - Wire Harnesses Group	2-54
Fig. 28 - Label Group	2-58

Fig. 1 - General Recommended Maintenance Items

Ref.	Tenant- Part No.	Description	Qty.
	390942	Blade, Sqge, Rear, 700mm Linatex [37.5]	1
	390922	Blade, Sqge, Rear, 800mm Linatex [44.0]	1
▽	391384	Squeegee Kit, Oil-Rstn, 700mm	1
▲	391377	Blade, Sqge, Front, 700mm Oil-Rstn,35.0l	1
▲	391378	Blade, Sqge, Rear, 700mm Oil-Rstn[37.0]	1
▽	391386	Squeegee Kit, Tile, 700mm	1
▲	390943	Blade, Sqge, Front, 700mm Linatex, 35.0l	1
▲	390936	Blade, Sqge, Rear, 700mm Gum Rbr [37.5]	1
▽	391383	Squeegee Kit, Oil-Rstn, 800mm	1
▲	391379	Blade, Sqge, Front, 800mm Oil-Rstn,41.5l	1
▲	391380	Blade, Sqge, Rear, 800mm Oil-Rstn[44.0]	1
▽	391385	Squeegee Kit, Tile, 800mm	1
▲	390923	Blade, Sqge, Front, 800mm Linatex, 41.5l	1
▲	390934	Blade, Sqge, Rear, Gum Rbr, 800mm[44.0]	1
	86859	Squeegee Assy, Side [Linatex]	2
	391334	Squeegee Assy, Side	2
	1011561	Caster, Swivel, 50d, M10 X 1.5 X 30 Stem	2
	1013531	Skirt, Spray, 650mm	1
	1011376	Skirt, Spray, 800mm	1
	1010560	Wheel, Bmpr, 80d X 25w, Non-Marking	1
	1013611	Seal, Cover, Recvy	1
	1020719	Seal, Afmkt, Bulb, Clsd Cell, Adh, 8ft	1
	1020727	Seal, Afmkt, Bulb, Clsd Cell, Adh, 8ft	1
	1020301	Seal, Afmkt, Bulb, Clsd Cell, Adh, 8ft	1
	1015921	Hose, Vacuum, 1.5d X 43l, Short Cuff	1
	370114	Filter Kit, Vacfan	1
	1016392	Gasket, Fltr, Tank	1
▽	1014274	Hose, Drain Assy, 1.5d X 27.8l, Blk	1
▲▽	1008639	Cap, Drain Assy	1
▲▲	1019563	Strap, Drain Cap	1
▽	1014268	Hose, Drain, Assy, 1.5d X 27.0l, Blk	1
▲▽	1008639	Cap, Drain Assy	1
▲▲	1019563	Strap, Drain Cap	1

Fig. 2 - Replacement Brushes, 650 mm (26 in)

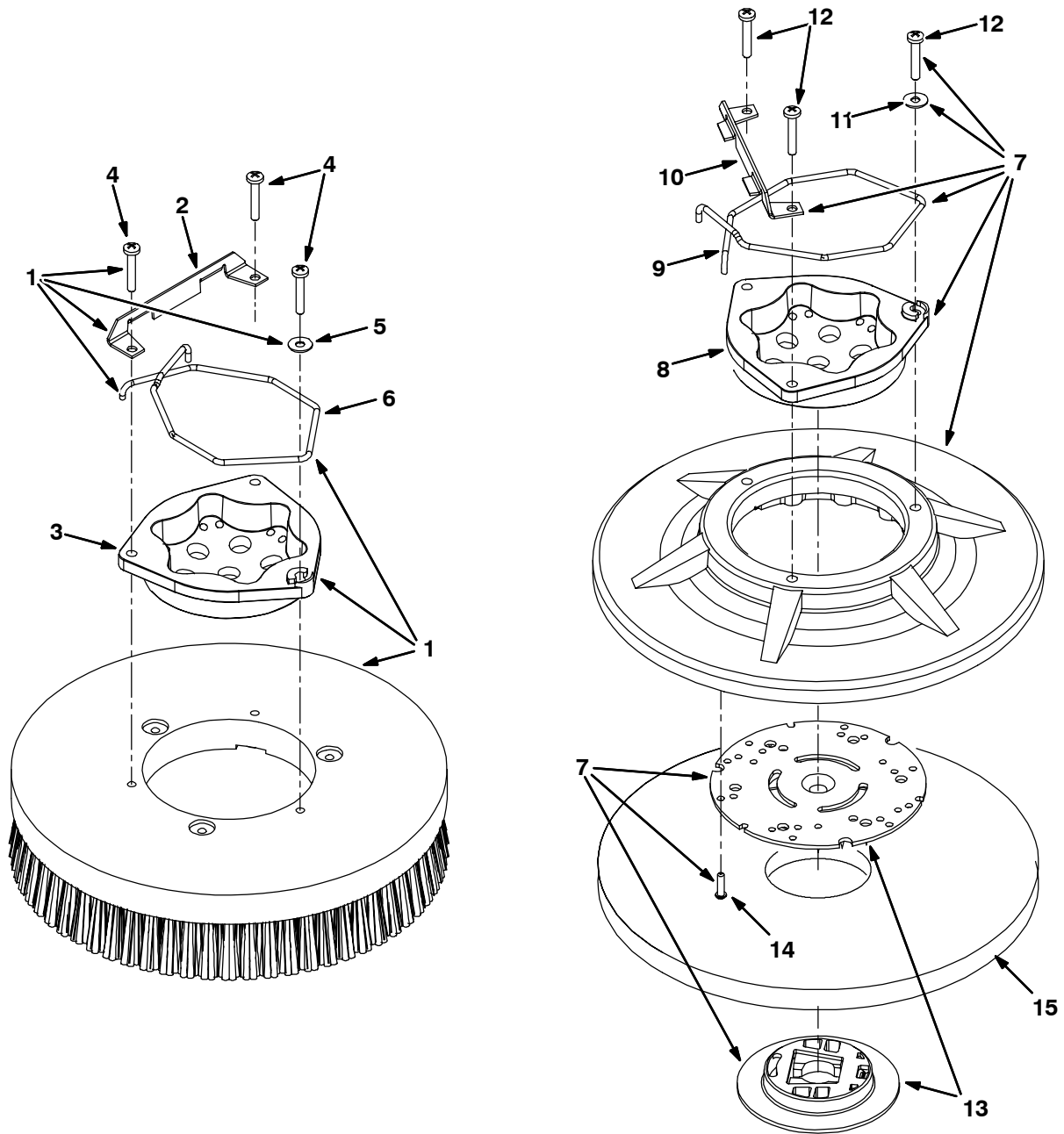


Fig. 2 - Replacement Brushes, 650 mm (26 in)

	Ref.	Tennant- Part No.	Description	Qty.
▽	1	1018377	Brush Assy, Disk, Scb, 13.0 D, Nyl	2
▲	2	24299	Bracket, Retainer, Spring	1
▲	3	15539	Hub, Drive, Brush, Disk, 3bolt/5.8bc 6t	1
▲	4	32746	Screw, Pan, M6 X 1.0 X 35, Ss	3
▲	5	01684	Washer, Flat, 0.25 Ss	1
▲	6	1017957	Spring, Retaining, Brush	1
▽	1	1014346	Brush Assy, Disk, Scb, 13.0 D, Pyp	2
▲	2	24299	Bracket, Retainer, Spring	1
▲	3	15539	Hub, Drive, Brush, Disk, 3bolt/5.8bc 6t	1
▲	4	32746	Screw, Pan, M6 X 1.0 X 35, Ss	3
▲	5	01684	Washer, Flat, 0.25 Ss	1
▲	6	1017957	Spring, Retaining, Brush	1
▽	1	1018457	Brush Assy, Disk, Scb, 13.0 D, Sab	2
▲	2	24299	Bracket, Retainer, Spring	1
▲	3	15539	Hub, Drive, Brush, Disk, 3bolt/5.8bc 6t	1
▲	4	32746	Screw, Pan, M6 X 1.0 X 35, Ss	3
▲	5	01684	Washer, Flat, 0.25 Ss	1
▲	6	1017957	Spring, Retaining, Brush	1
▽	7	379013	Driver Assy, Pad, 13.0d	2
▲	8	15539	Hub, Drive, Brush, Disk, 3bolt/5.8bc 6t	1
▲	9	1017957	Spring, Retaining, Brush	1
▲	10	24299	Bracket, Retainer, Spring	1
▲	11	01684	Washer, Flat, 0.25 Ss	1
▲	12	32746	Screw, Pan, M6 X 1.0 X 35, Ss	3
▲	13	370095	Device, Centering	1
▲	14	360943	Screw, Pan, #10-14 X 0.75, F/Plstc	3
	15	89046	Pad, Stripping, 13.0d, Brown [1pad=1pc]	2
	15	89047	Pad, Scrub, 13.0d, Blue	2
	15	89048	Pad, Buff, 13.0d, Red [1pad=1pc]	2
	15	89049	Pad, Polish, 13.0d, White [1pad=1pc]	2

Fig. 3 - Replacement Brushes, 800 mm (32 in)

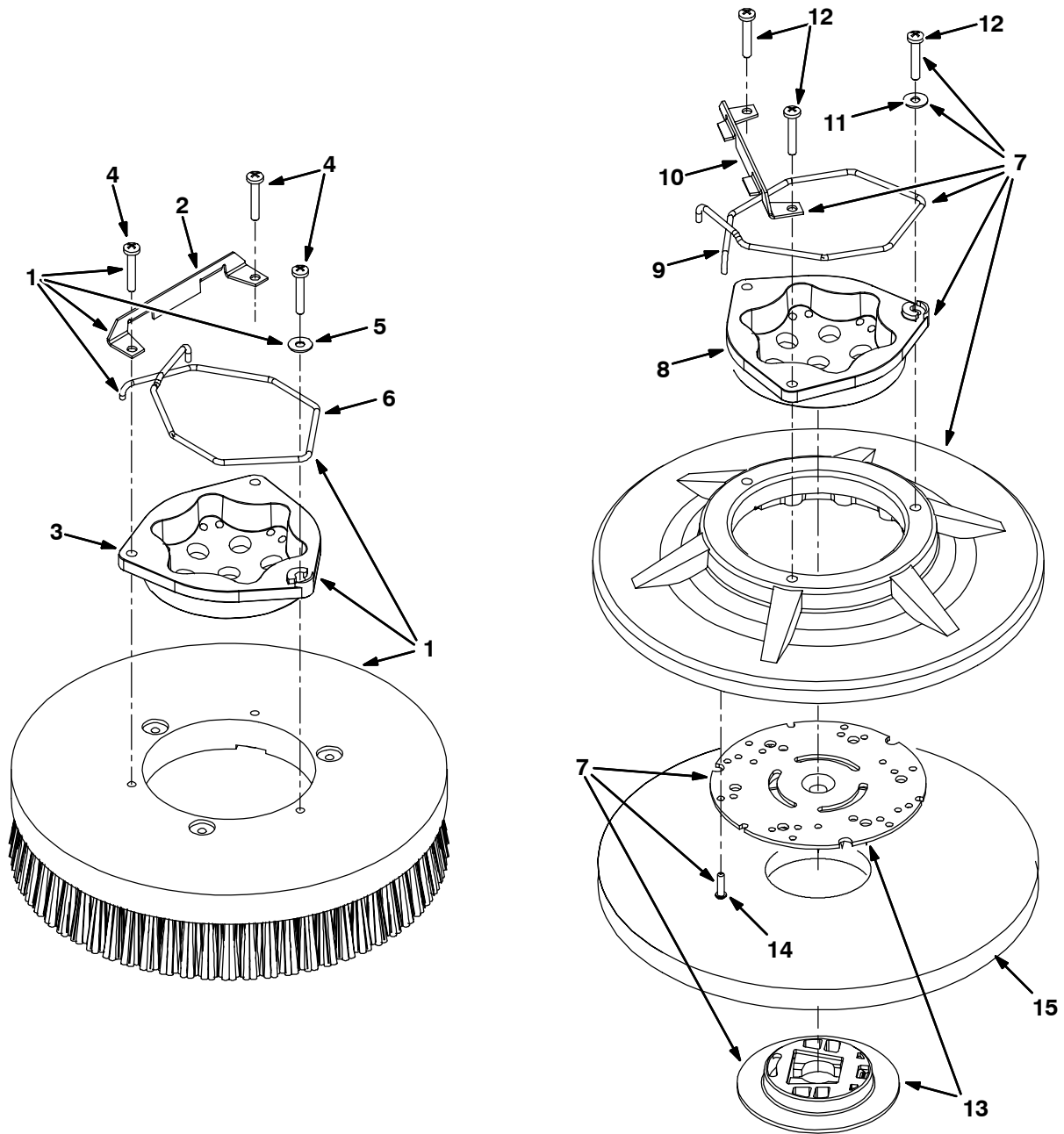


Fig. 3 - Replacement Brushes, 800 mm (32 in)

	Ref.	Tennant- Part No.	Description	Qty.
▽	1	1016634	Brush Assy, Disk, Scb, 16.0 D, Nyl	2
▲	2	24299	Bracket, Retainer, Spring	1
▲	3	15539	Hub, Drive, Brush, Disk, 3bolt/5.8bc 6t	1
▲	4	32746	Screw, Pan, M6 X 1.0 X 35, Ss	3
▲	5	01684	Washer, Flat, 0.25 Ss	1
▲	6	1017957	Spring, Retaining, Brush	1
▽	1	1016633	Brush Assy, Disk, Scb, 16.0 D, Pyp	2
▲	2	24299	Bracket, Retainer, Spring	1
▲	3	15539	Hub, Drive, Brush, Disk, 3bolt/5.8bc 6t	1
▲	4	32746	Screw, Pan, M6 X 1.0 X 35, Ss	3
▲	5	01684	Washer, Flat, 0.25 Ss	1
▲	6	1017957	Spring, Retaining, Brush	1
▽	1	1018455	Brush Assy, Disk, Scb, 16.0 D, Sab	2
▲	2	24299	Bracket, Retainer, Spring	1
▲	3	15539	Hub, Drive, Brush, Disk, 3bolt/5.8bc 6t	1
▲	4	32746	Screw, Pan, M6 X 1.0 X 35, Ss	3
▲	5	01684	Washer, Flat, 0.25 Ss	1
▲	6	1017957	Spring, Retaining, Brush	1
▽	7	379016	Driver Assy, Pad, 16.0d	2
▲	8	15539	Hub, Drive, Brush, Disk, 3bolt/5.8bc 6t	1
▲	9	1017957	Spring, Retaining, Brush	1
▲	10	24299	Bracket, Retainer, Spring	1
▲	11	01684	Washer, Flat, 0.25 Ss	1
▲	12	32746	Screw, Pan, M6 X 1.0 X 35, Ss	3
▲	13	370095	Device, Centering	1
▲	14	360943	Screw, Pan, #10-14 X 0.75, F/Plstc	3
	15	370092	Pad, Stripping, 16.0d [Hi Prod 1pad=1pc]	2
	15	63248-1	Pad, Stripping, 16.0d, Brown [1pad=1pc]	2
	15	63248-2	Pad, Scb, 16.0d, Blu [1pad=1pc]	2
	15	63248-3	Pad, Buff, 16.0d, Red	2
	15	63248-4	Pad, Polish, 16.0d, White [1pad=1pc]	2

Fig. 4 - Main Frame Group

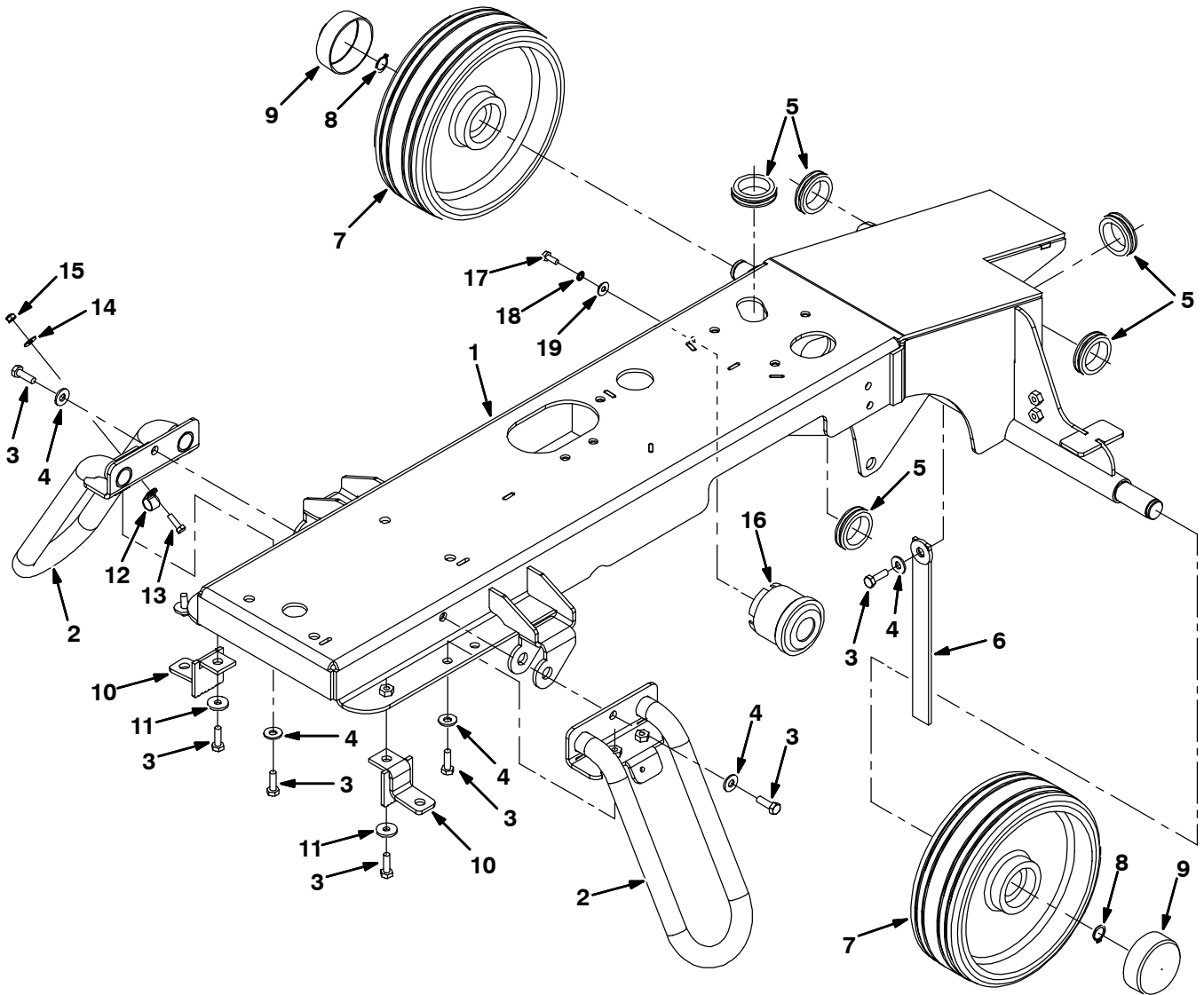


Fig. 4 - Main Frame Group

Ref.	Tenant-Part No.	Description	Qty.
1	1010160	Frame Wldt [T7]	1
2	1010556	Stabilizer Wldt	2
3	09010	Screw, Hex, M8 X 1.25 X 25, Ss	9
4	01685	Washer, Flat, 0.31 Ss	7
5	10632-13	Grommet, Rbr, 1.50id, F/ 1.8h, .19matl	5
6	1014318	Strap, Static	1
7	1010381	Tire Assy, Solid, 250mmx80mm, 25mm Id	2
8	09005	Ring, Retaining, Ext, 1.00D, Basic	2
9	1016957	Cap, Vyl, 70mm Id X 25mm L	2
10	1017688	Bracket Wldt, Stand, Jack	2
11	1017218	Washer, Flat, 0.321b 1.00d .12, Ss	2
12	40678-1	Clamp, Cable, Stl, 0.88d X 0.62w, 1h	1
13	08716	Screw, Hex, M6 X 1.0 X 20, Ss	1
14	01684	Washer, Flat, 0.25 Ss	1
15	08712	Nut, Hex, Lock, M6 X 1.0, Ss, NI	1
16	1018505	Horn, 12-48vdc	1
17	15678	Screw, Hex, M6 X 1.0 X 16, Ss	1
18	07515	Washer, Lock, Int, .25, Ss	1
19	01684	Washer, Flat, 0.25 Ss	2

Fig. 5 - Seat Group

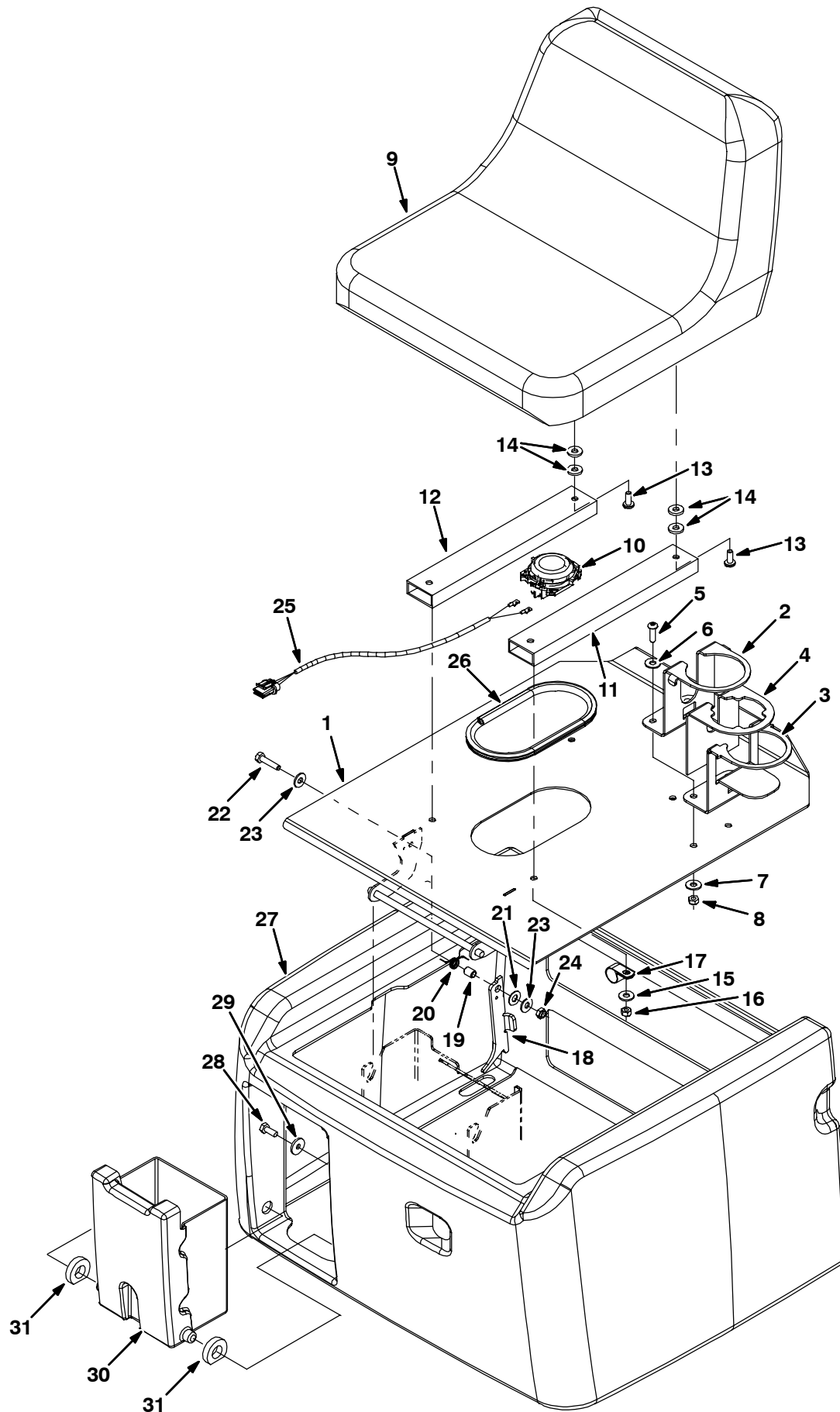


Fig. 5 - Seat Group

Ref.	Tenant- Part No.	Description	Qty.
1	1015406	Plate, Seat, W/ Label	1
2	1016539	Plate, Holder, Cup	1
3	1016644	Plate, Holder, Cup	1
4	1016743	Gasket, Holder, Cup	1
5	1016430	Screw, Btn, M8 X 1.25 X 25,10.9, Blk	2
6	1016435	Washer, Flat, 0.52b 0.75d .06, Stl, Blk	2
7	01685	Washer, Flat, 0.31 Ss	2
8	08713	Nut, Hex, Lock, M8 X 1.25, NI, Ss	2
9	375411	Seat, Std	1
10	223078	Switch, Seat, No	1
11	1017053	Rail, Adj, Slide, Seat, 11.5l	1
12	1017054	Rail, Adj, Slide, Seat, 11.5l, W/ Latch	1
13	25537	Screw, Pan, .31-18 X 0.75, 2	4
14	69461	Washer, Flat, 0.38b 0.88d .12, Stl, Pl	8
15	32491	Washer, Flat, 0.31 Std	4
16	01760	Nut, Hex, Lock, .31-18, NI, Thin	4
17	40678-1	Clamp, Cable, Stl, 0.88d X 0.62w, 1h	1
18	1016000	Plate, Stop, Seat	1
19	1017699	Sleeve, P/M, 0.437d 0.318b 0.57l 430ss	1
20	10928	Spring, Tors, 0.49id .05wir 05.0coil	1
21	1018151	Washer, Flat, 0.44b 0.88d .06, Nyl	1
22	09023	Screw, Hex, M8 X 1.25 X 35, Ss, Fl	1
23	01685	Washer, Flat, 0.31 Ss	2
24	08713	Nut, Hex, Lock, M8 X 1.25, NI, Ss	1
25	223330	Harness, Switch, Seat	1
26	1020170	Molding, Afrmkt, Trim, Pvc, .08-.11, 2ft	1
27	1012440	Cover, Box, Battery [Trimmed]	1
28	09740	Screw, Hex, M8 X 1.25 X 20, Ss	2
29	1017218	Washer, Flat, 0.321b 1.00d .12, Ss	2
30	1013603	Box, Holder, Std [Trimmed]	1
31	1016553	Seal, Rbr	2

Fig. 6 - Steering Group

Ref.	Tennant- Part No.	Description	Qty.
1	1018561	Support Wldt, Steering	1
2	04417	Screw, Hex, M10 X 1.5 X 60, Ss	4
3	01686	Washer, Flat, 0.44b 1.00 .08, Ss	4
4	69234	Clamp, Cable, Stl, 1.00d X 0.62w, 1h	3
5	39349	Washer, Flat, 0.31 Sae	3
6	08709	Nut, Hex, Lock, M8 X 1.25, NI	3
7	223072	Joint, U, .75 Id	1
8	46820	Screw, Set, .31-18 X 0.38, NI	4
9	00912	Key, Sq, 0.19 X 0.19, 1.00l	1
10	223065	Bearing, Flng, 2-Hole, 0.75b [Nyl]	1
11	09740	Screw, Hex, M8 X 1.25 X 20, Ss	2
12	1013164	Shaft, Steering, Wheel	1
13	1012002	Wheel, Steering, 300mm	1
14	1019706	Cap, Steering Wheel	1
15	1014328	Key, Sq, 05mm X 05mm, 25l	1
16	64154	Washer, Flat, 0.53b 1.12d .11, Stl, Pl	1
17	08711	Nut, Hex, Lock, M12 X 1.75, NI	1
18	1012437	Bellows, Shaft, Steering	1

Fig. 7 - Instrument Panel Group

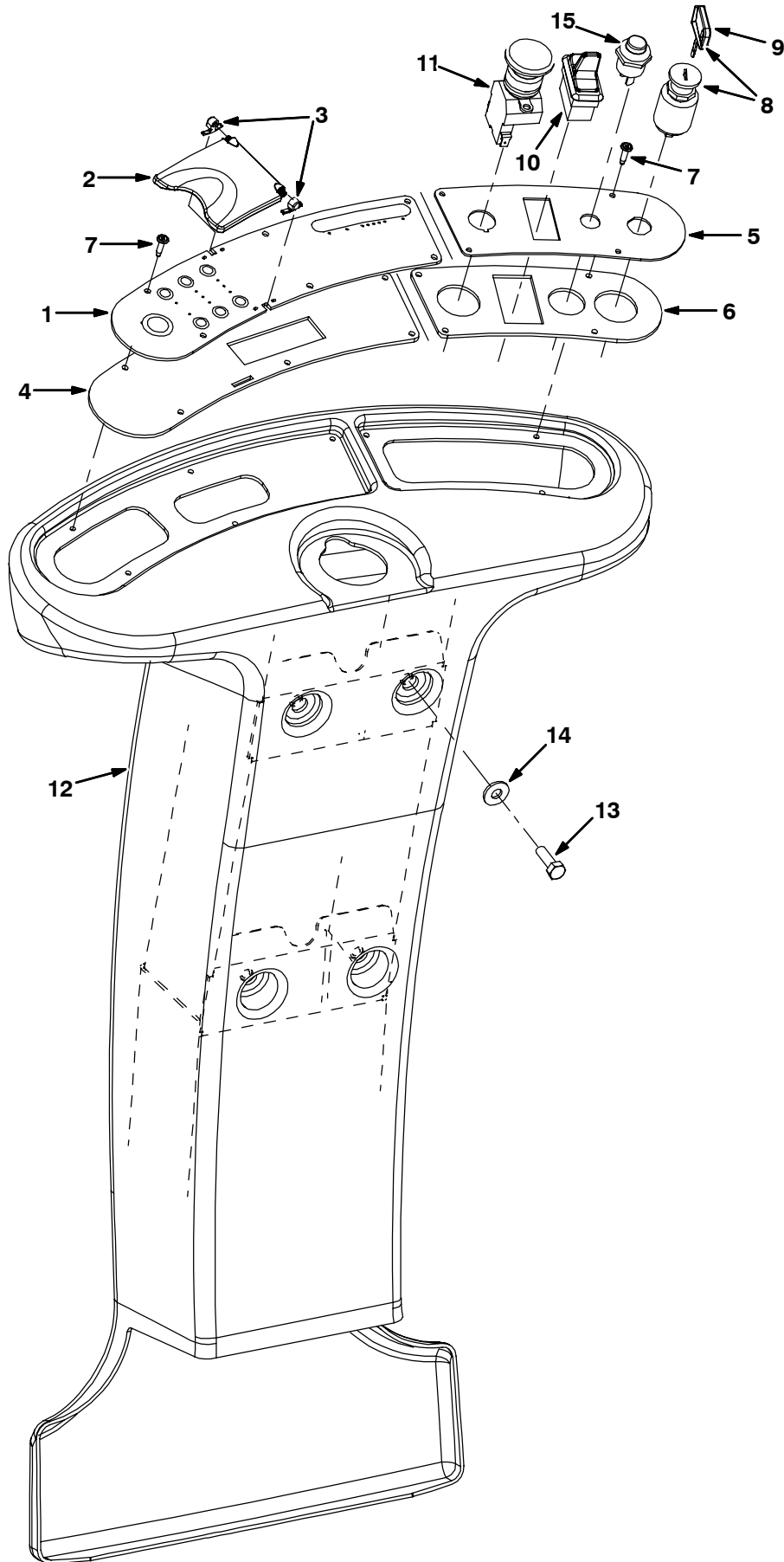


Fig. 7 - Instrument Panel Group

Ref.	Tenant- Part No.	Description	Qty.	
1	1012068	Panel, Instmt, Lh	1	
2	1012197	Cover, Panl, Instmt	1	
3	1011952	Block, Pivot, Cover	2	
4	1013939	Gasket, Panl, Instmt, Lh	1	
5	1014910	Panel, Instmt, Rh	1	
6	1014080	Gasket, Panl, Instmt, Rh	1	
7	72969	Rivet, Plstc, .181d X 0.720	10	
▽	8	1016789	Switch, Key	1
▲	9	361144	Key, Ignition	1
10	1013763	Switch, Rocker, 24vdc Spst, Paddle	1	
11	1011735	Switch, Safety, Shutoff	1	
12	1015415	Column, Steering, W/Label [T7]	1	
13	09010	Screw, Hex, M8 X 1.25 X 25, Ss	4	
14	01685	Washer, Flat, 0.31 Ss	4	

Fig. 8 - Front Drive Wheel Group

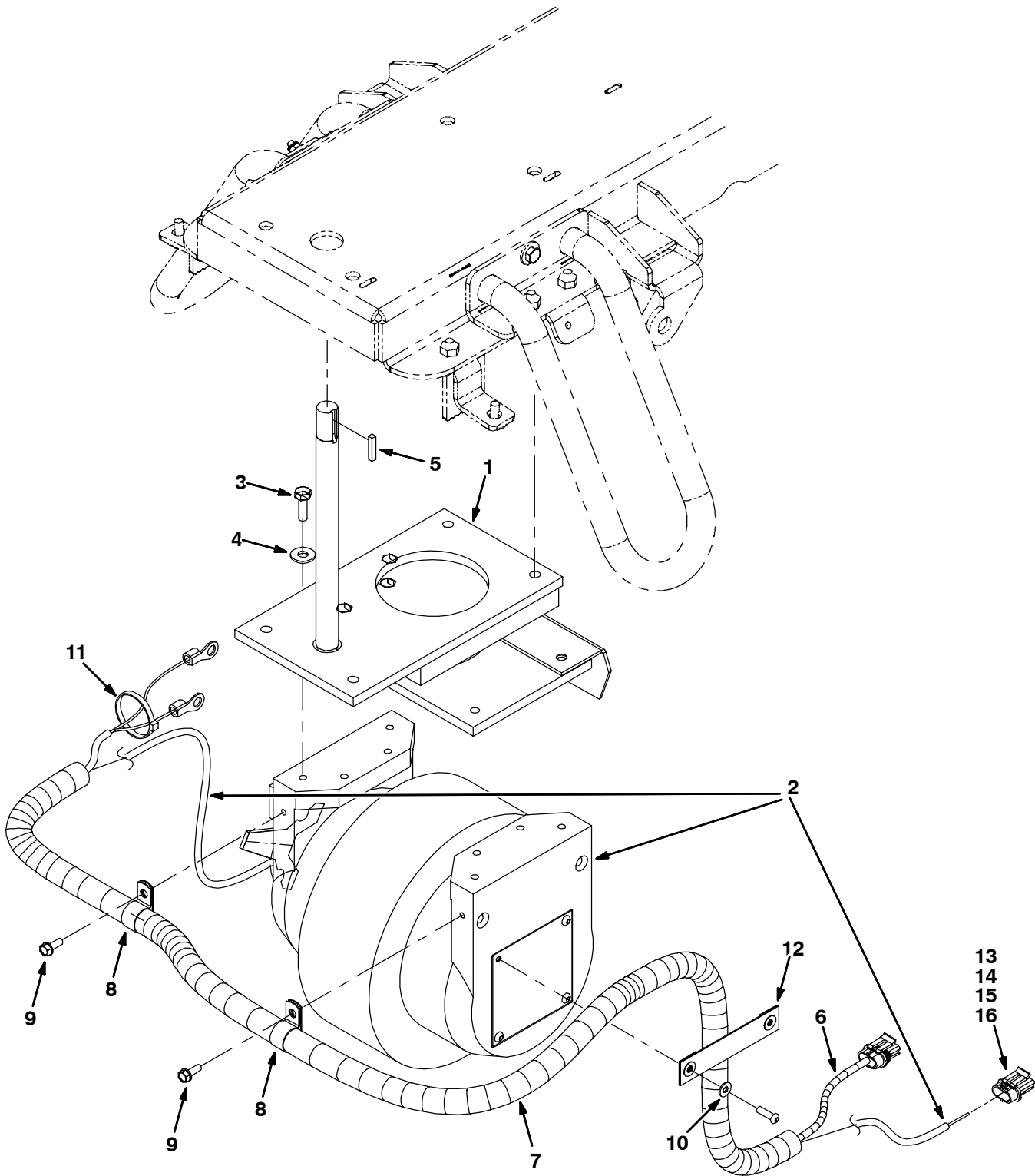


Fig. 8 - Front Drive Wheel Group

Ref.	Tennant- Part No.	Description	Qty.
1	1019724	Steer-Control Assy, Wheel Drive (See Breakdown)	1
2	1019723	Gearbox, Wheel, 250mm, 24vdc (See Breakdown)	1
3	09011	Screw, Hex, M8 X 1.25 X 30, Ss	4
4	01685	Washer, Flat, 0.31 Ss	4
5	00912	Key, Sq, 0.19 X 0.19, 1.00l	1
6	391914	Harness, Motor, #10-2, 48.0 L, [T7]	1
7	1015761	Sleeve, Afmkt, Nyl, #13, 3ft	1
8	40678-1	Clamp, Cable, Stl, 0.88d X 0.62w, 1h	2
9	361339	Screw, Hex, M6 X 1.0 X 16, Fmg	2
10	19066	Washer, Flat, #10	2
11	49263	Tie, Cable, Nyl, 11.4l .19w 3.0 Max D	4
12	1019224	Strap, Nyl	1
13	78950	Connector, Fem, 2cav	2
14	78952	Lock, Secondary, M/F 2cav	2
15	25837	Terminal, Fem, 20/22ga	2
16	25830	Seal, Wire, 14ga	2

Fig. 9 - Brake Pedal and Accelerator Pedal Group

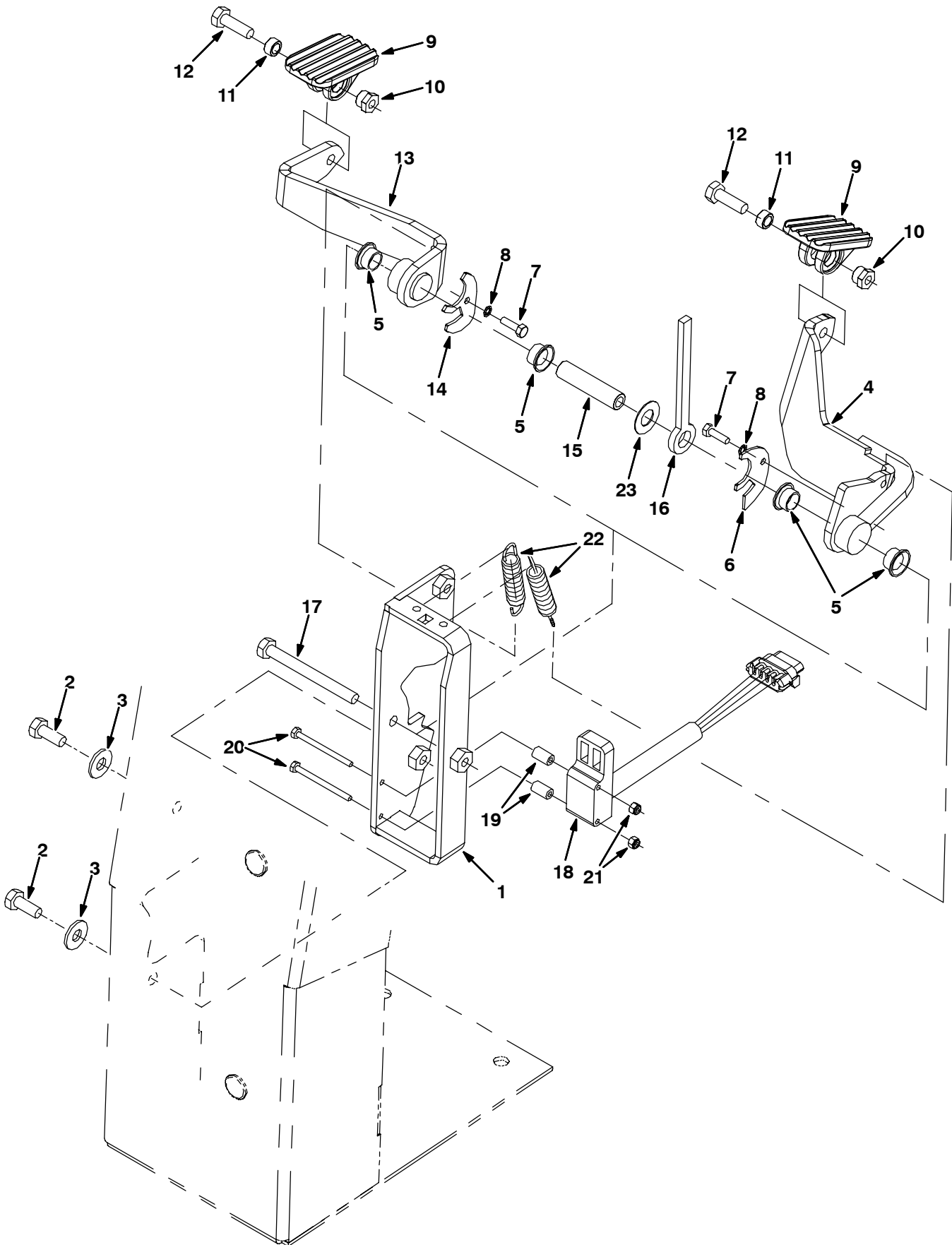


Fig. 9 - Brake Pedal and Accelerator Pedal Group

Ref.	Tennant- Part No.	Description	Qty.
1	1011970	Frame Wldt, Pedal	1
2	09740	Screw, Hex, M8 X 1.25 X 20, Ss	2
3	01685	Washer, Flat, 0.31 Ss	2
4	1019766	Arm Wldt, Brake	1
5	15648	Bushing, Flng, 0.50b 0.59d 0.38l	4
6	1011955	Plate, Brake	1
7	24199	Screw, Hex, M5 X 0.8 X 16, Ss	2
8	07514	Washer, Lock, Int, #10, Ss	2
9	1014548	Pedal, Rest, Foot	2
10	1014582	Nut, T, M8 X 1.25 X 11.9od X 6.2l	2
11	1014668	Bushing, Sleeve, 11.9mm D 8.1mm B 6.2mml	2
12	09010	Screw, Hex, M8 X 1.25 X 25, Ss	2
13	1013898	Arm Wldt, Accelerator	1
14	1011951	Plate, Accelerator	1
15	1011865	Pivot, Tube	1
16	1011880	Bearing, Thrust	1
17	06958	Screw, Hex, M8 X 1.25 X 80, 8.8	1
18	1011562	Sensor	1
19	1011957	Tube, Stand-Off	2
20	32509	Screw, Hex, M4 X 0.7 X 50, Ss	2
21	33932	Nut, Hex, Lock, M4 X 0.7, NI, Ss	2
22	28281	Spring, Extn, 0.55od X 0.07wir, 3.0l	2
23	630447	Washer, Flat, M12.7 X 25.4 X 0.8 Ny	1

Fig. 10 - Scrub Head Lift Group

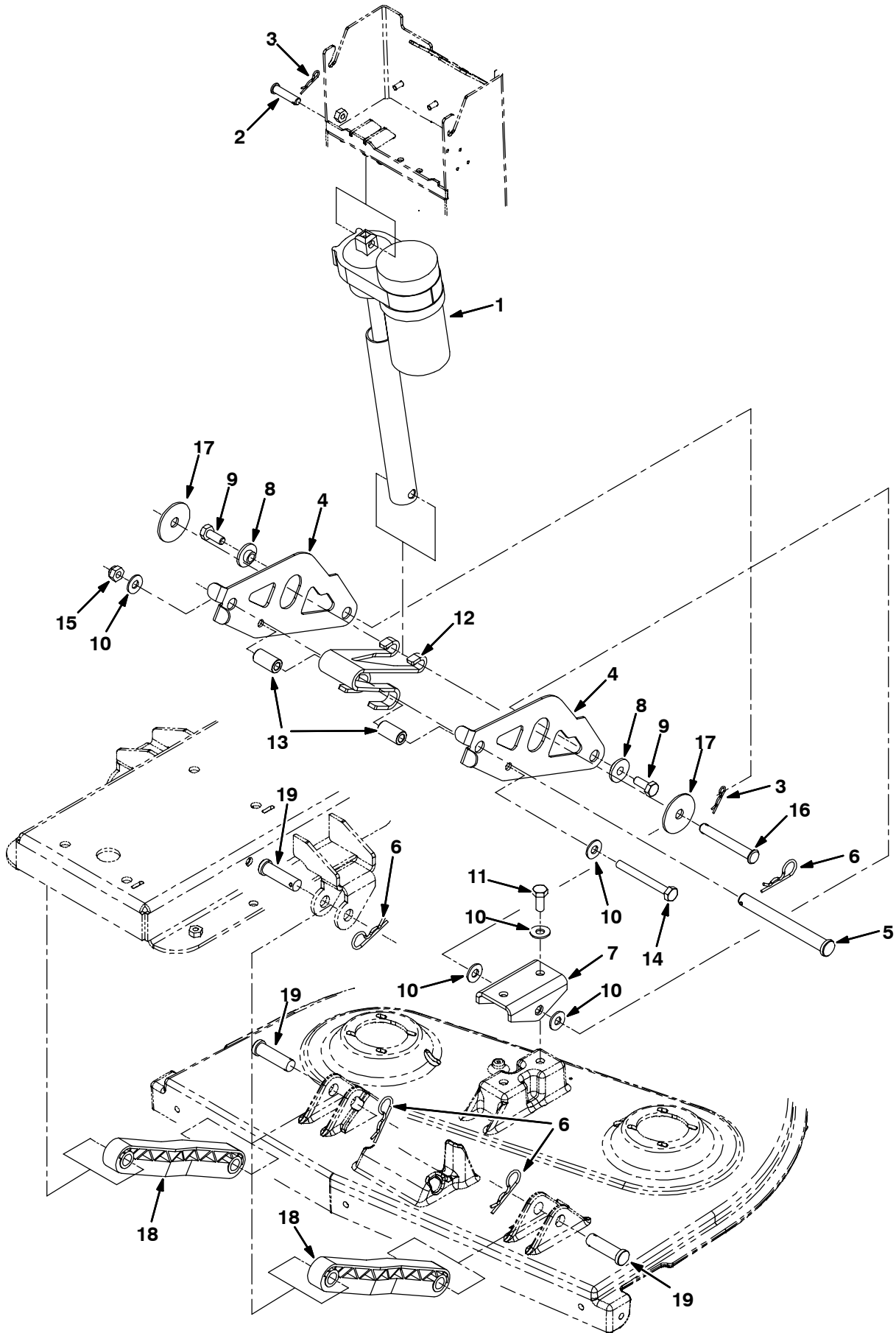


Fig. 10 - Scrub Head Lift Group

Ref.	Tennant- Part No.	Description	Qty.
1	1010895	Actuator, 24vdc, 100mm Strk 2700n	1
2	1009356	Pin, Clevis , 10mm X 40l	1
3	86866	Pin, Hair Cotter, 0.38 D .072 Wir	2
4	1013278	Plate, Arm, Cntr, Lift, Scb Head	2
5	1010401	Pin, Clevis, 16d X 150l	1
6	02942	Pin, Hair Cotter, 0.62 D .120 Wir	5
7	1014076	Bracket, Lift	1
8	363087	Bushing, Flng, 0.44b 1.25d 0.25l	2
9	09770	Screw, Hex, M10 X 1.5 X 25, Ss, NI	2
10	01686	Washer, Flat, 0.44b 1.00 .08, Ss	6
11	09028	Screw, Hex, M10 X 1.5 X 25, Ss	2
12	1015413	Spring, Lift, Head, Scb	1
13	1013281	Sleeve, P/M, 18.5d 10.5b 34l 430 Ss	2
14	09746	Screw, Hex, M10 X 1.5 X 90, Ss	1
15	08714	Nut, Hex, Lock, M10 X 1.5, NI, Ss	1
16	1013356	Pin, Clevis, 12mm D X 90mm L	1
17	57048	Washer, Flat, 0.53b 2.13d .11, Stl, Pl	2
18	222027	Arm, Lift, Head	2
19	222210	Pin, Clevis, 0.62 D X 2.12l	4

Fig. 11 - Scrub Head Drive Motor Group, 650 mm (26 in)

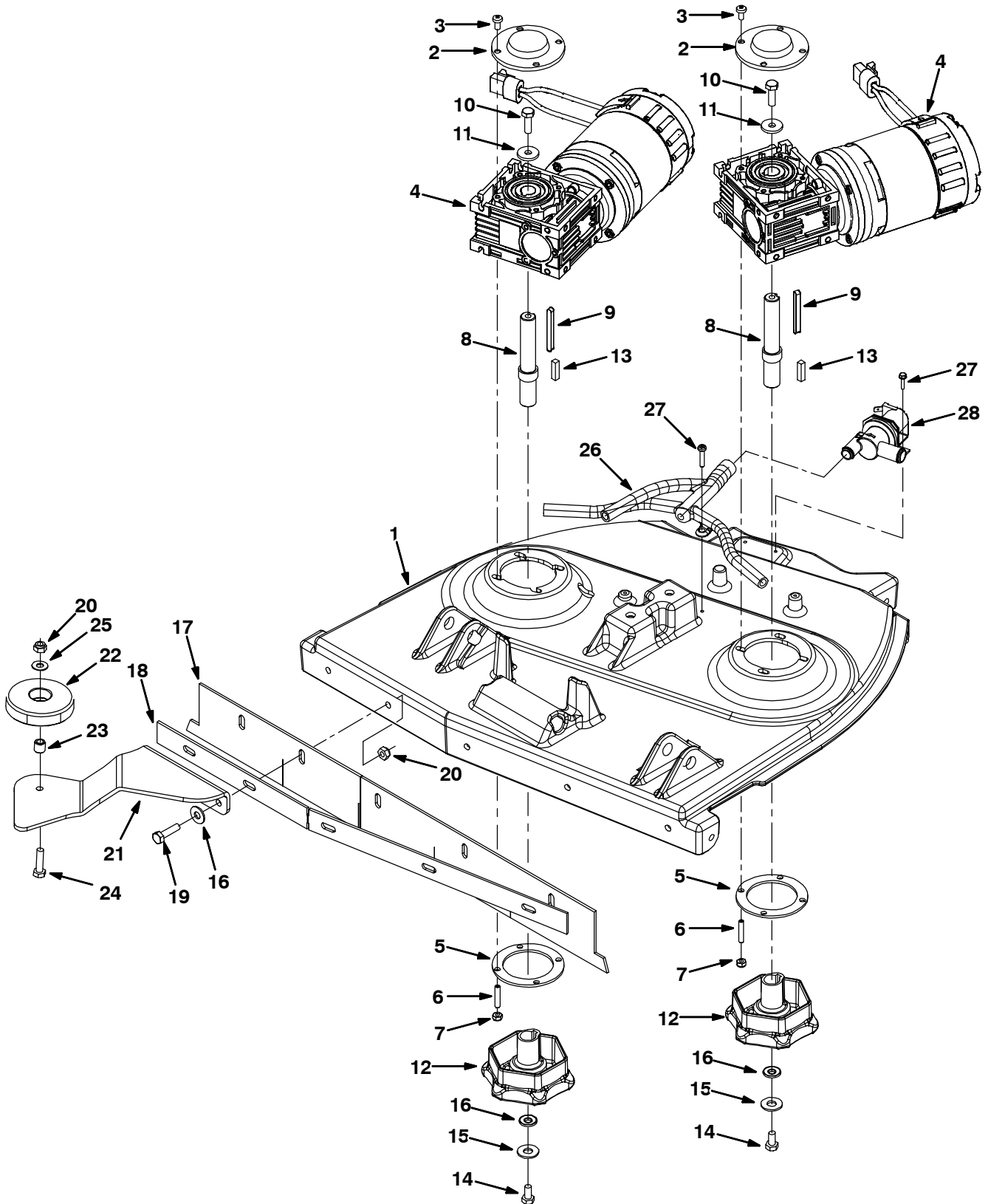


Fig. 11 - Scrub Head Drive Motor Group, 650 mm (26 in)

NOTE: 650 mm Disk Scrub Head Kit, TENNANT Part Number 9000136, includes Fig. 11, Fig. 13, and Fig. 14.

Ref.	Tennant- Part No.	Description	Qty.
1	1013560	Head, Scb, 650mm	1
2	1017553	Cap, Motor	2
3	363503	Screw, Pan, M6 X 1.0 X 12, Ss	8
▽ 4	1000083	Motor, Ele, 24vdc 0.50hp 260rpm	2
▲	372878	Brush Kit, Motor, Ele	1
▲	372879	Hook, Safety	1
▲	372880	Cover, Brush, Ele Motor	1
5	1013821	Plate, Sppt	2
6	1018559	Screw, Set, M6 X 1.0 X 30, Ss	8
7	08712	Nut, Hex, Lock, M6 X 1.0, Ss, NI	8
8	1008758	Shaft, Drive, Brush	2
9	1014303	Key, Sq, 06mm X 06mm, 60mm L	2
10	09740	Screw, Hex, M8 X 1.25 X 20, Ss	2
11	1017218	Washer, Flat, 0.321b 1.00d .12, Ss	2
12	377367	Hub, Drive, Brush, Disk, 0.75b 6t	2
13	00928	Key, Sq, 0.25 X 0.25, 1.00l	2
14	15675	Screw, Hex, M8 X 1.25 X 16, Ss	2
15	41186	Washer, Belleville, .31	2
16	01685	Washer, Flat, 0.31 Ss	7
17	1013531	Skirt, Spray, 650mm	1
18	1013532	Retainer, Skirt, 650mm	1
19	09011	Screw, Hex, M8 X 1.25 X 30, Ss	6
20	08713	Nut, Hex, Lock, M8 X 1.25, NI, Ss	6
21	1019268	Bracket, Wheel, Guide	1
22	1010560	Wheel, Bumper, 80d X 25w, Non-Marking	1
23	222460	Sleeve, P/, 0.49D 0.318B 0.50L 430Ss	1
24	09011	Screw, Hex, M8 X 1.25 X 30, Ss	1
25	140027	Washer, Flat, 0.35b 0.75d .04, Ss	1
26	1014228	Manifold, Soltn, 650mm	1
27	1016520	Screw, Hex, M4 X 0.7 16 Fmg, Ss	3
28	1013599	Valve, Water, Solenoid, 24vdc, 10bm/10bm	1

Fig. 12 - Scrub Head Drive Motor Group, 800 mm (32 in)

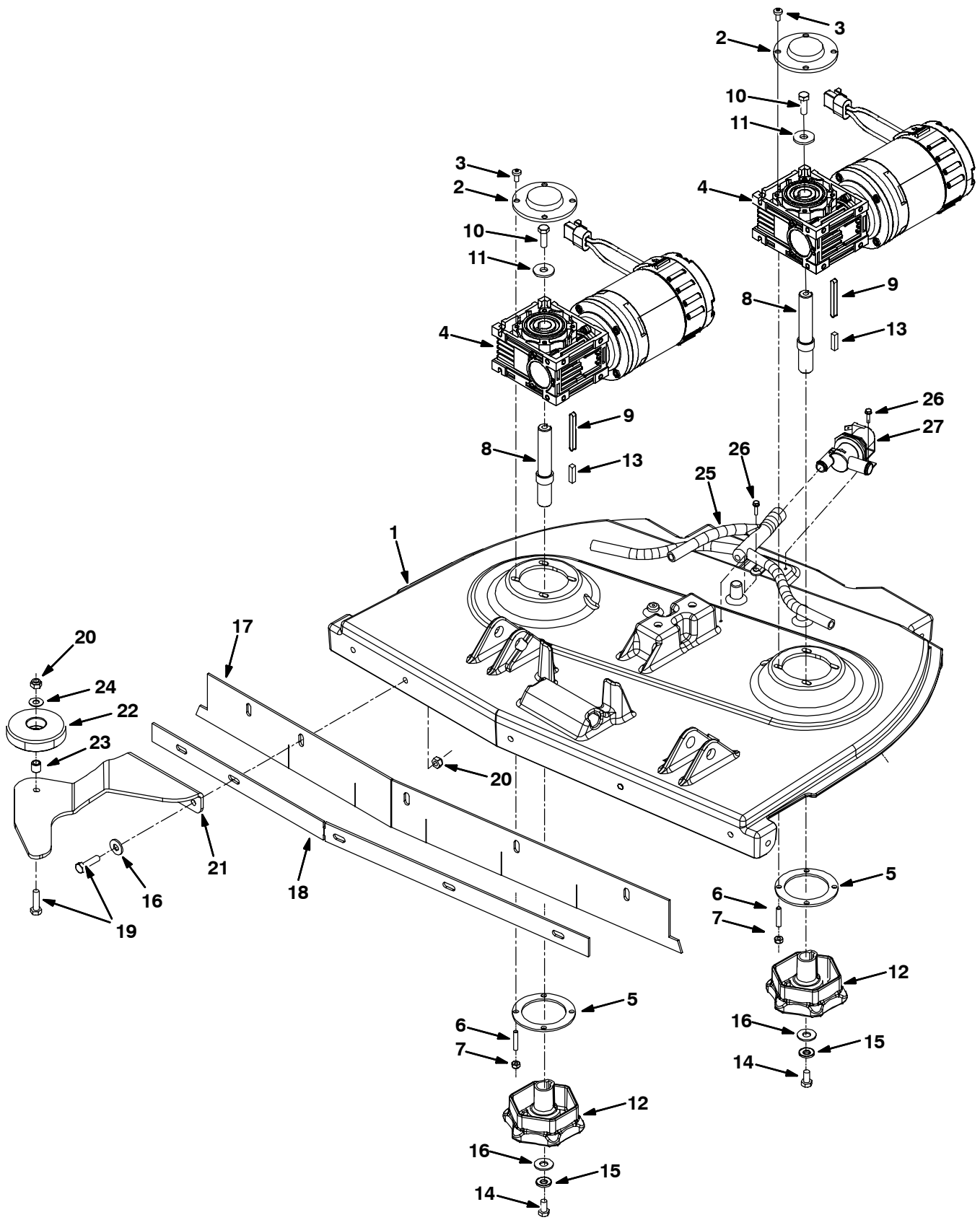


Fig. 12 - Scrub Head Drive Motor Group, 800 mm (32 in)

NOTE: 800 mm Disk Scrub Head Kit, TENNANT Part Number 9000142, includes Fig. 12, Fig. 13, and Fig. 14.

Ref.	Tennant- Part No.	Description	Qty.
1	1012630	Head, Scb, 800mm	1
2	1017553	Cap, Motor	2
3	363503	Screw, Pan, M6 X 1.0 X 12, Ss	8
▽ 4	1000083	Motor, Ele, 24vdc 0.50hp 260rpm	2
▲	372878	Brush Kit, Motor, Ele	1
▲	372879	Hook, Safety	1
▲	372880	Cover, Brush, Ele Motor	1
5	1013821	Plate, Sppt	2
6	1018559	Screw, Set, M6 X 1.0 X 30, Ss	8
7	08712	Nut, Hex, Lock, M6 X 1.0, Ss, NI	8
8	1008758	Shaft, Drive, Brush	2
9	1014303	Key, Sq, 06mm X 06mm, 60mm L	2
10	09740	Screw, Hex, M8 X 1.25 X 20, Ss	2
11	1017218	Washer, Flat, 0.321b 1.00d .12, Ss	2
12	377367	Hub, Drive, Brush, Disk, 0.75b 6t	2
13	00928	Key, Sq, 0.25 X 0.25, 1.00l	2
14	15675	Screw, Hex, M8 X 1.25 X 16, Ss	2
15	41186	Washer, Belleville, .31	2
16	01685	Washer, Flat, 0.31 Ss	7
17	1011376	Skirt, Spray, 800mm	1
18	1012359	Retainer, Skirt, 800mm	1
19	09011	Screw, Hex, M8 X 1.25 X 30, Ss	6
20	08713	Nut, Hex, Lock, M8 X 1.25, NI, Ss	6
21	1011212	Bracket, Wheel, Guide Obs:09/04	1
22	1010560	Wheel, Bumper, 80d X 25w, Non-Marking	1
23	222460	Sleeve, P/, 0.49D 0.318B 0.50L 430Ss	1
24	140027	Washer, Flat, 0.35b 0.75d .04, Ss	1
24	140027	Washer, Flat, 0.35b 0.75d .04, Ss	1
25	1014776	Manifold, Soltn, 800mm	1
26	1016520	Screw, Hex, M4 X 0.7 16 Fmg, Ss	3
27	1013599	Valve, Water, Solenoid, 24vdc, 10bm/10bm	1

Fig. 13 - Side Squeegee Group, Right

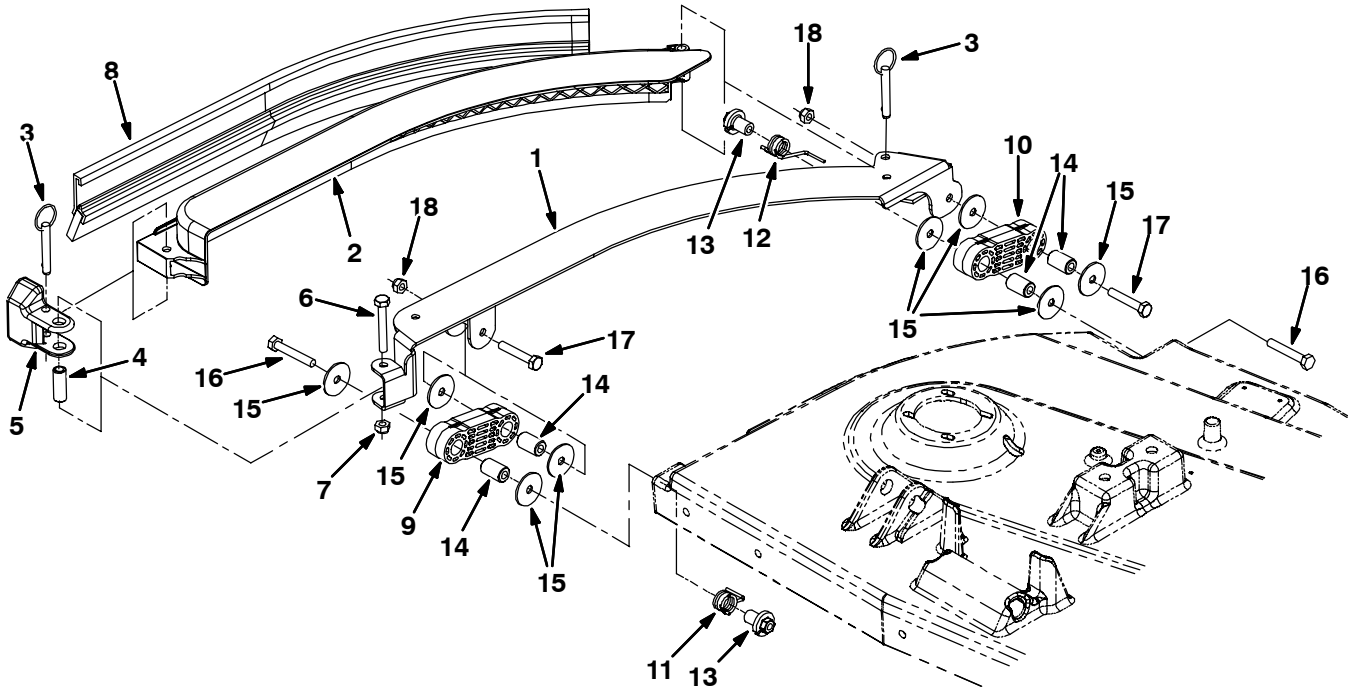


Fig. 13 - Side Squeegee Group, Right

NOTE: 650 mm Disk Scrub Head Kit, TENNANT Part Number 9000136, includes Fig. 11, Fig. 13, and Fig. 14.

NOTE: 800 mm Disk Scrub Head Kit, TENNANT Part Number 9000142, includes Fig. 12, Fig. 13, and Fig. 14.

Ref.	Tennant- Part No.	Description	Qty.
1	1017910	Support Wldt, Sqge, Rh	1
2	1017832	Retainer, Sqge, Rh	1
3	1015989	Pin, Hitch, .312d X 1.62l	2
4	1017495	Sleeve, P/M, 0.496d 0.318b 1.375 Ss	1
5	1017462	Block, Guard	1
6	222504	Screw, Hex, M8 X 1.25 X 55, Ss	1
7	08713	Nut, Hex, Lock, M8 X 1.25, NI, Ss	1
8	86859	Assy.Sqge, Side [Linatex]	1
9	1010876	Link, Sqge	1
10	1017785	Link, Sqge	1
11	1011344	Spring, Tors	1
12	1011334	Spring, Tors	1
13	1011317	Retainer, Spring	2
14	1011717	Sleeve, P/M, 0.625d 0.318b 1.00 L 430ss	4
15	1011719	Washer, Flat, 0.33b 1.38d .075, Ss	8
16	49694	Screw, Hex, M8 X 1.25 X 50, Ss	2
17	222505	Screw, Hex, M8 X 1.25 X 45, Ss	2
18	08713	Nut, Hex, Lock, M8 X 1.25, NI, Ss	2

Fig. 14 - Side Squeegee Group, Left

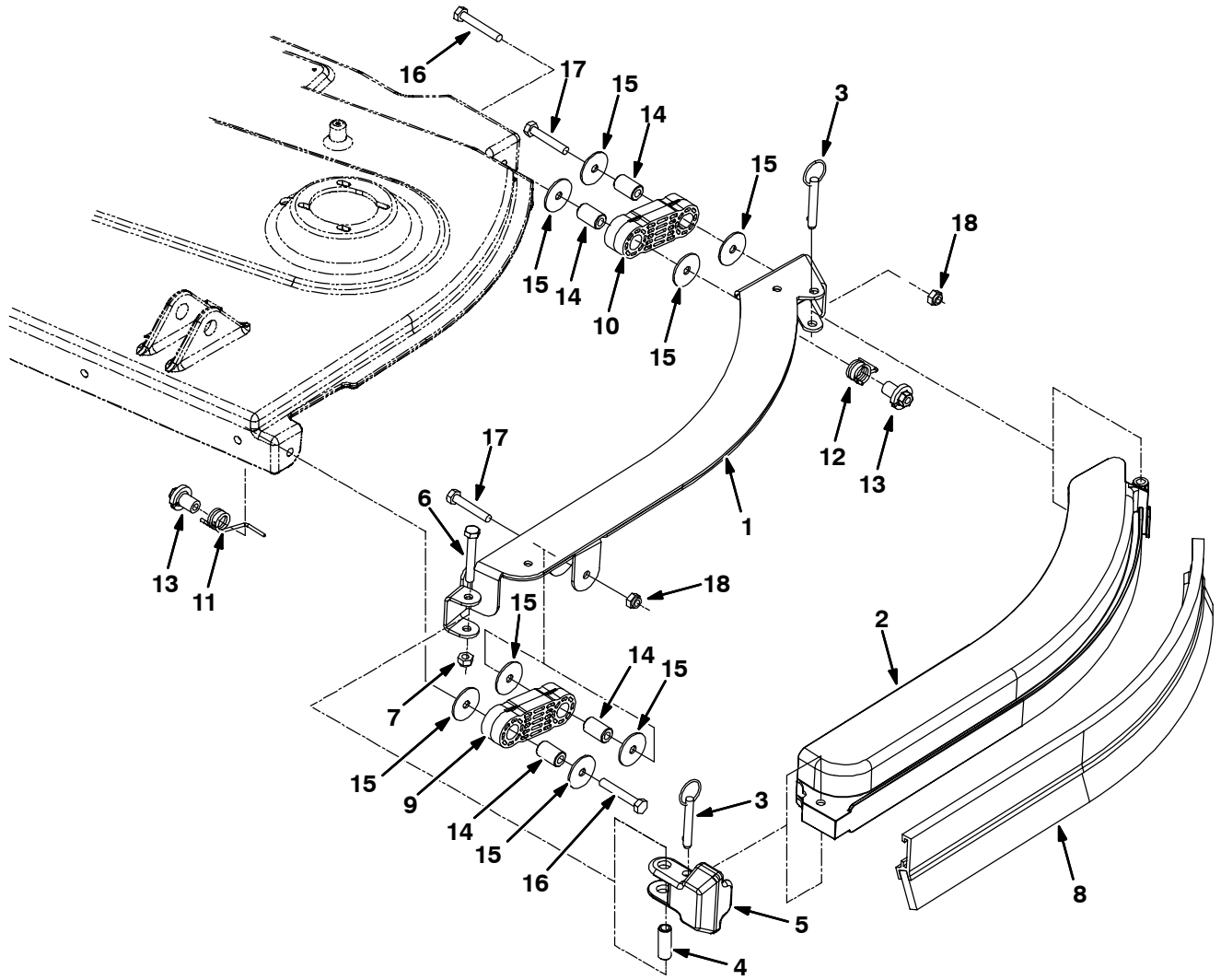


Fig. 14 - Side Squeegee Group, Left

NOTE: 650 mm Disk Scrub Head Kit, TENNANT Part Number 9000136, includes Fig. 11, Fig. 13, and Fig. 14.

NOTE: 800 mm Disk Scrub Head Kit, TENNANT Part Number 9000142, includes Fig. 12, Fig. 13, and Fig. 14.

Ref.	Tennant- Part No.	Description	Qty.
1	1017534	Support Wldt, Sqge, Lh	1
2	1017653	Retainer, Sqge, Lh	1
3	1015989	Pin, Hitch, .312d X 1.62l	2
4	1017495	Sleeve, P/M, 0.496d 0.318b 1.375 Ss	1
5	1017462	Block, Guard	1
6	222504	Screw, Hex, M8 X 1.25 X 55, Ss	1
7	08713	Nut, Hex, Lock, M8 X 1.25, NI, Ss	1
8	86859	Assy.Sqge, Side [Linatex]	1
9	1010876	Link, Sqge	1
10	1017785	Link, Sqge	1
11	1011344	Spring, Tors	1
12	1011334	Spring, Tors	1
13	1011317	Retainer, Spring	2
14	1011717	Sleeve, P/M, 0.625d 0.318b 1.00 L 430ss	4
15	1011719	Washer, Flat, 0.33b 1.38d .075, Ss	8
16	49694	Screw, Hex, M8 X 1.25 X 50, Ss	2
17	222505	Screw, Hex, M8 X 1.25 X 45, Ss	2
18	08713	Nut, Hex, Lock, M8 X 1.25, NI, Ss	2

Fig. 15 - Recovery Tank Group

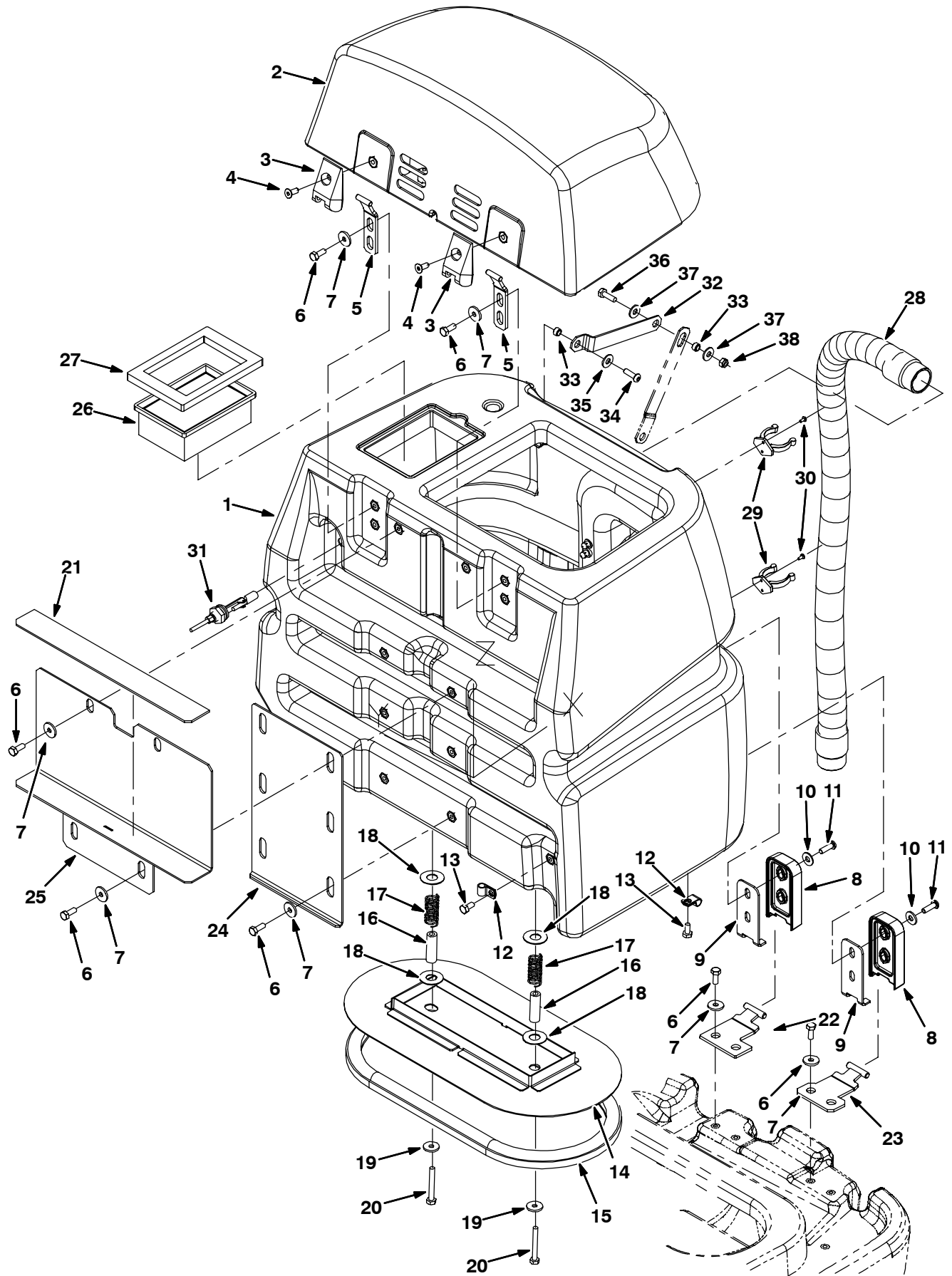


Fig. 15 - Recovery Tank Group

Ref.	Tenant-Part No.	Description	Qty.
1	1018032	Tank, Recvy, W/Label [T7]	1
1	1018034	Tank, Recvy. W/Label [T7 FaST]	1
2	1011971	Cover, Recvy [Trimmed]	1
3	222529	Hinge, Leaf	2
4	222463	Screw, Flt, M8 X 1.25 X 20, Blk	2
5	1012055	Hinge Wldt, Cover	2
6	09740	Screw, Hex, M8 X 1.25 X 20, Ss	16
7	1017218	Washer, Flat, 0.321b 1.00d .12, Ss	16
8	1011536	Hinge, Tank	2
9	1017590	Plate, Hinge	2
10	1016435	Washer, Flat, 0.52b 0.75d .06, Stl, Blk	4
11	1016430	Screw, Btn, M8 X 1.25 X 25,10.9, Blk	4
12	40678	Clamp, Cable, Stl, 0.44d X 0.62w, 1h	2
13	15675	Screw, Hex, M8 X 1.25 X 16, Ss	2
14	1016855	Plate Wldt, Seal, Tank	1
15	1020301	Seal, Afmkt, Bulb, Clsd Cell, Adh, 8ft	4
16	1016871	Spacer, Seal, Tank	2
17	397255	Spring, Cmpr, 0.85od .08wir 2.0l	2
18	605385	Washer, Flat, 0.69b 1.50d .05, Ss	4
19	1017218	Washer, Flat, 0.321b 1.00d .12, Ss	2
20	77270	Screw, Hex, M8 X 1.25 X 60, Ss	2
21	1017705	Pad, Rbr	1
22	1011752	Hinge Wldt, Tank	1
23	1011753	Hinge Wldt, Tank	1
24	1017670	Angle, Sppt, Tank	1
25	1017607	Bracket Wldt, Tank, Sppt	1
26	370113	Filter, Dust, Panl,2.3x04.1x06.0	1
27	1016392	Gasket, Fltr, Tank	1
28	1015921	Hose, Vacuum, 1.5d X 43l, Short Cuff	1
29	1001992	Clip, Hose, Gripper, 1.75id, Blk Ny	2
30	391403	Screw, Pan, M4 X 0.7 X 8, Ss	4
31	385685	Sensor, Level, Liquid, 14vdc 01a .62-11	1
32	1011853	Arm, Tank, Retaining	1
33	222516	Sleeve, P/M, 0.496d 0.318b 0.31l 430ss	2
34	1016430	Screw, Btn, M8 X 1.25 X 25,10.9, Blk	2
35	1016435	Washer, Flat, 0.52b 0.75d .06, Stl, Blk	1
36	09010	Screw, Hex, M8 X 1.25 X 25, Ss	1
37	01685	Washer, Flat, 0.31 Ss	2
38	08713	Nut, Hex, Lock, M8 X 1.25, NI, Ss	1

Fig. 16 - Vacuum Fan Group

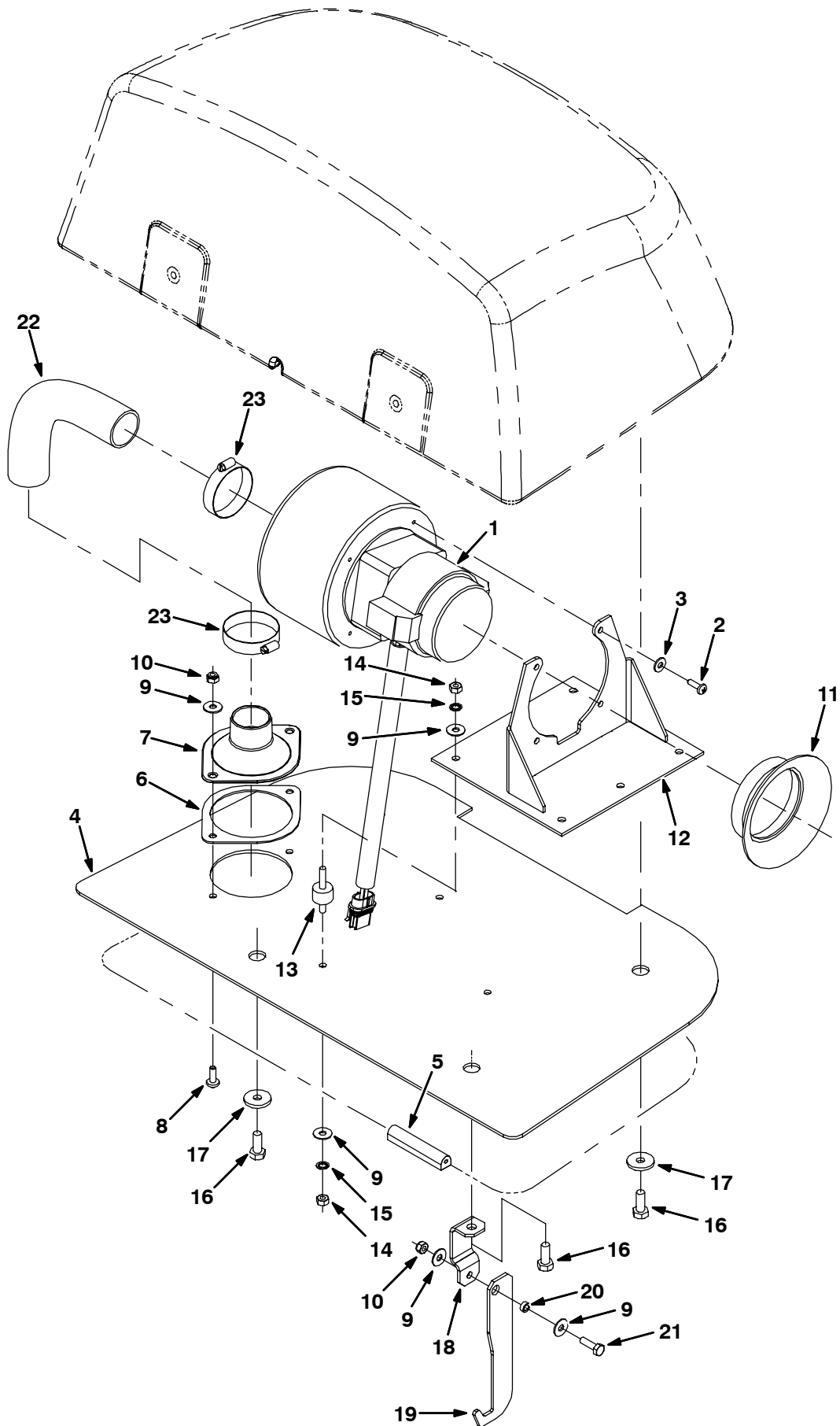


Fig. 16 - Vacuum Fan Group

Ref.	Tenant- Part No.	Description	Qty.
1	1013432	Fan, Vacuum, 5.7, 3s 24v Bpt (See Breakdown)	1
2	1015506	Screw, Pan, M5 X 16, F/ Plstc	4
3	19066	Washer, Flat, #10	4
4	1011127	Plate, Mtg, Fan	1
5	1013611	Seal, Cover, Recvy	1
6	1014858	Gasket, Adapter	1
7	1014711	Adaptor, Hose	1
8	367770	Screw, Pan, M6 X 1.0 X 16, Ss	2
9	01684	Washer, Flat, 0.25 Ss	10
10	08712	Nut, Hex, Lock, M6 X 1.0, Ss, NI	3
11	1011140	Seal, Fan	1
12	1011103	Bracket Wldt, Mtg, Fan	1
13	1011093	Isolator, Vib, .75d, M6 Stud Both Ends	3
14	07785	Nut, Hex, Std, M6 X 1.0, A2, Ss	6
15	07515	Washer, Lock, Int, .25, Ss	6
16	09740	Screw, Hex, M8 X 1.25 X 20, Ss	4
17	1017218	Washer, Flat, 0.321b 1.00d .12, Ss	3
18	1015803	Bracket, Mtg, Stop	1
19	1015808	Plate, Mtg, Tank	1
20	80491	Sleeve, P/M, 0.375d 0.250b 0.16l 430ss	1
21	08716	Screw, Hex, M6 X 1.0 X 20, Ss	1
22	1011159	Hose, Vacuum, 1.5d X 8.3l, Clr, Blk Wire	1
23	79381	Clamp, Hose, Wormdrive, 1.25-2.00d, .50w	2

Fig. 17 - Solution Tank Group

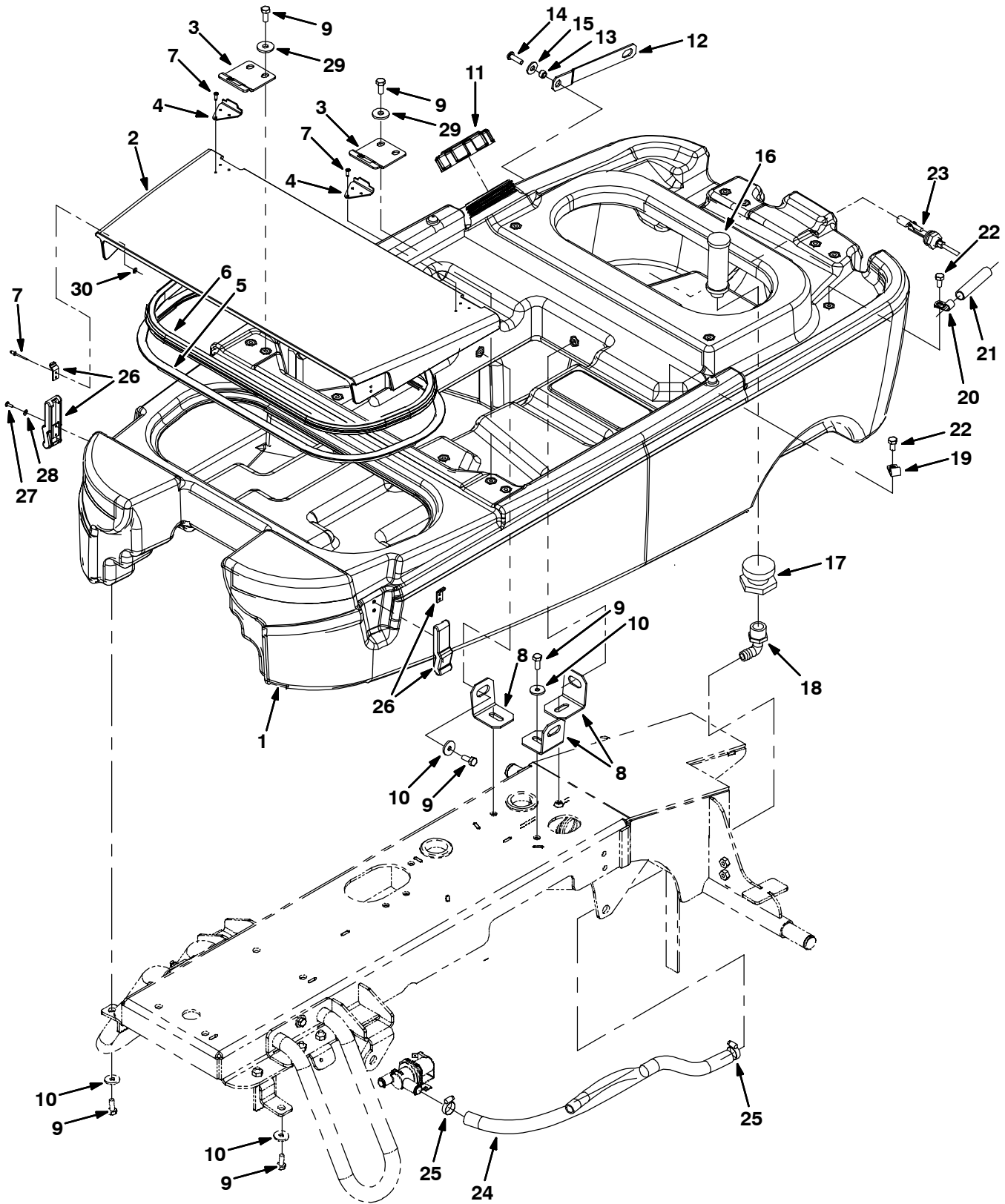


Fig. 17 - Solution Tank Group

Ref.	Tennant- Part No.	Description	Qty.
1	1015405	Tank, Soltn, W/ label [T7]	1
2	1012505	Cover, Tank, Soltn [T7]	1
3	1020317	Catch, Cover [T7]	2
4	1020292	Plate, Cover, Tab [T7]	2
5	1020727	Seal, Afmkt, Bulb, Clsd Cell, Adh, 8ft	5
6	1020719	Seal, Afmkt, Bulb, Clsd Cell, Adh, 8ft	5
7	1012372	Rivet, Blind, .156d X 0.46 X .31, Ss	10
8	1014072	Bracket, Mtg, Tank	3
9	09740	Screw, Hex, M8 X 1.25 X 20, Ss	12
10	1017218	Washer, Flat, 0.321b 1.00d .12, Ss	8
11	1011885	Cap, Tank	1
12	1011852	Arm, Tank, Retaining	1
13	222516	Sleeve, P/M, 0.496d 0.318b 0.31l 430ss	3
14	1016430	Screw, Btn, M8 X 1.25 X 25, 10.9, Blk	2
15	1016435	Washer, Flat, 0.52b 0.75d .06, Stl, Blk	2
16	398770	Strainer, Soltn, 80mesh Cyl 1.3d 3.5l	1
17	377349	Fitting, Plstc, Pf12/Pf12, Bh	1
18	73468	Fitting, Plstc, E90, Bm10/Pm12	1
19	40678	Clamp, Cable, Stl, 0.44d X 0.62w, 1h	2
20	67767	Clamp, Cable, Stl, 0.69d X 0.62w, 1h	1
21	1019879	Conduit, Nylon, .50d 3.0l	1
22	15675	Screw, Hex, M8 X 1.25 X 16, Ss	2
23	385685	Sensor, Level, Liquid, 14vdc 01a .62-11	1
24	1014825	Hose, Mold	1
25	54333	Clamp, Hose, Wormdrive, 0.31-0.88d, .31w	2
26	140932	Latch, Draw, Soft, Rbr W/ Keeper	2
27	49697	Screw, Pan, M4 X 0.7 X 10, Ss	4
28	41578	Washer, Flat, #06 Ss	4
29	01685	Washer, Flat, 0.31 Ss	4
30	140026	Washer #6 Flt Sae Zn	4

Fig. 18 - Tanks Drain Group

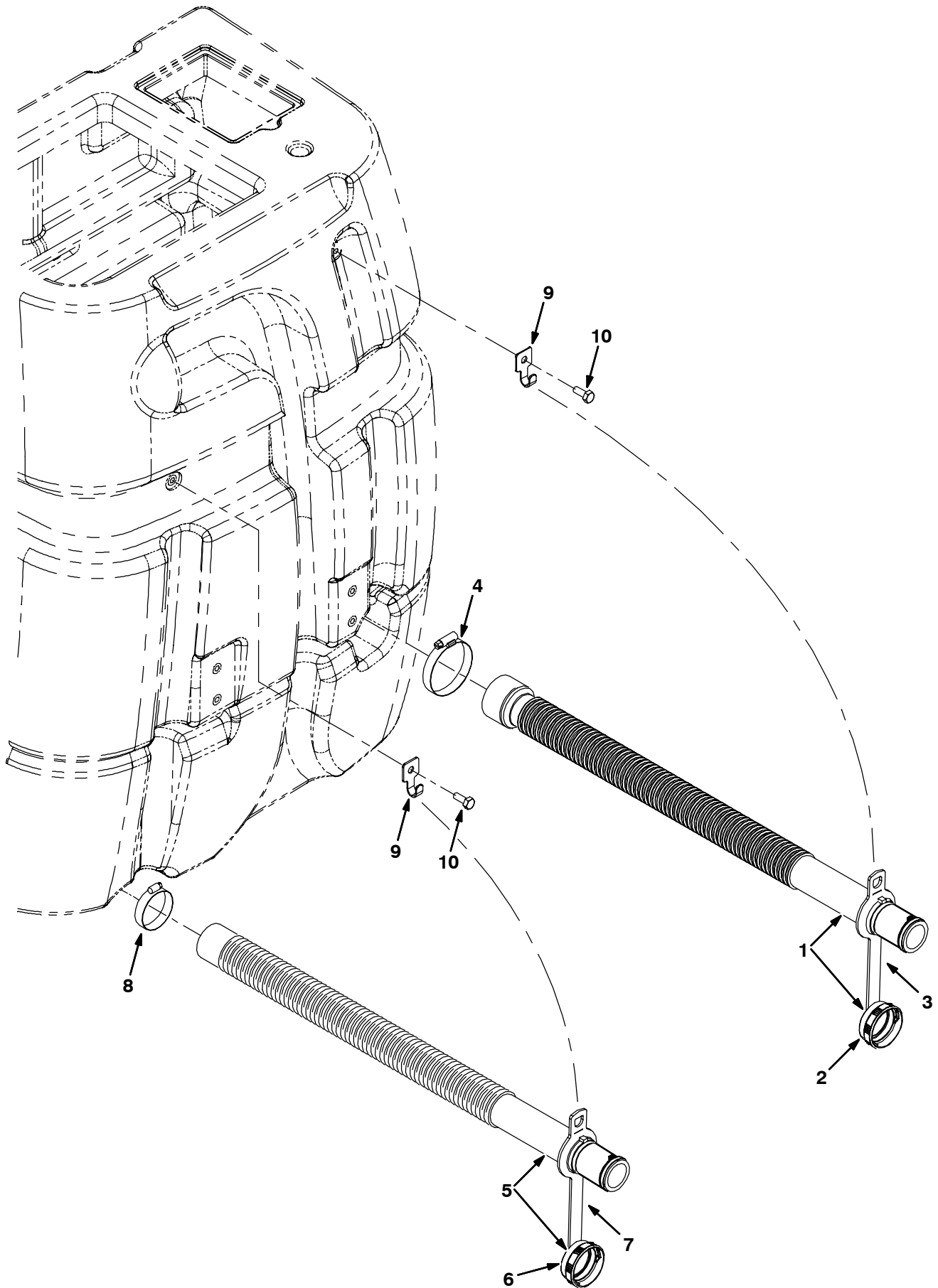


Fig. 18 - Tanks Drain Group

	Ref.	Tennant- Part No.	Description	Qty.
▽	1	1014274	Hose Assy, Drain, 26.3l	1
▲▽	2	1008639	Cap, Drain Assembly	1
▲▲	3	1019563	Strap, Drain Cap	1
	4	14432	Clamp, Hose, Wormdrive, 1.81-2.75d, .56w	2
▽	5	1014268	Hose Assy, Drain, 29.6l	2
▲▽	6	1008639	Cap, Drain Assembly	5
▲▲	7	1019563	Strap, Drain Cap	1
	8	79381	Clamp, Hose, Wormdrive, 1.25-2.00d, .50w	5
	9	222793	Clip, Hanger, Hose, .38d Hole, Ss	10
	10	09740	Screw, Hex, M8 X 1.25 X 20, Ss	3

Fig. 19 - Battery Group, 235Ah

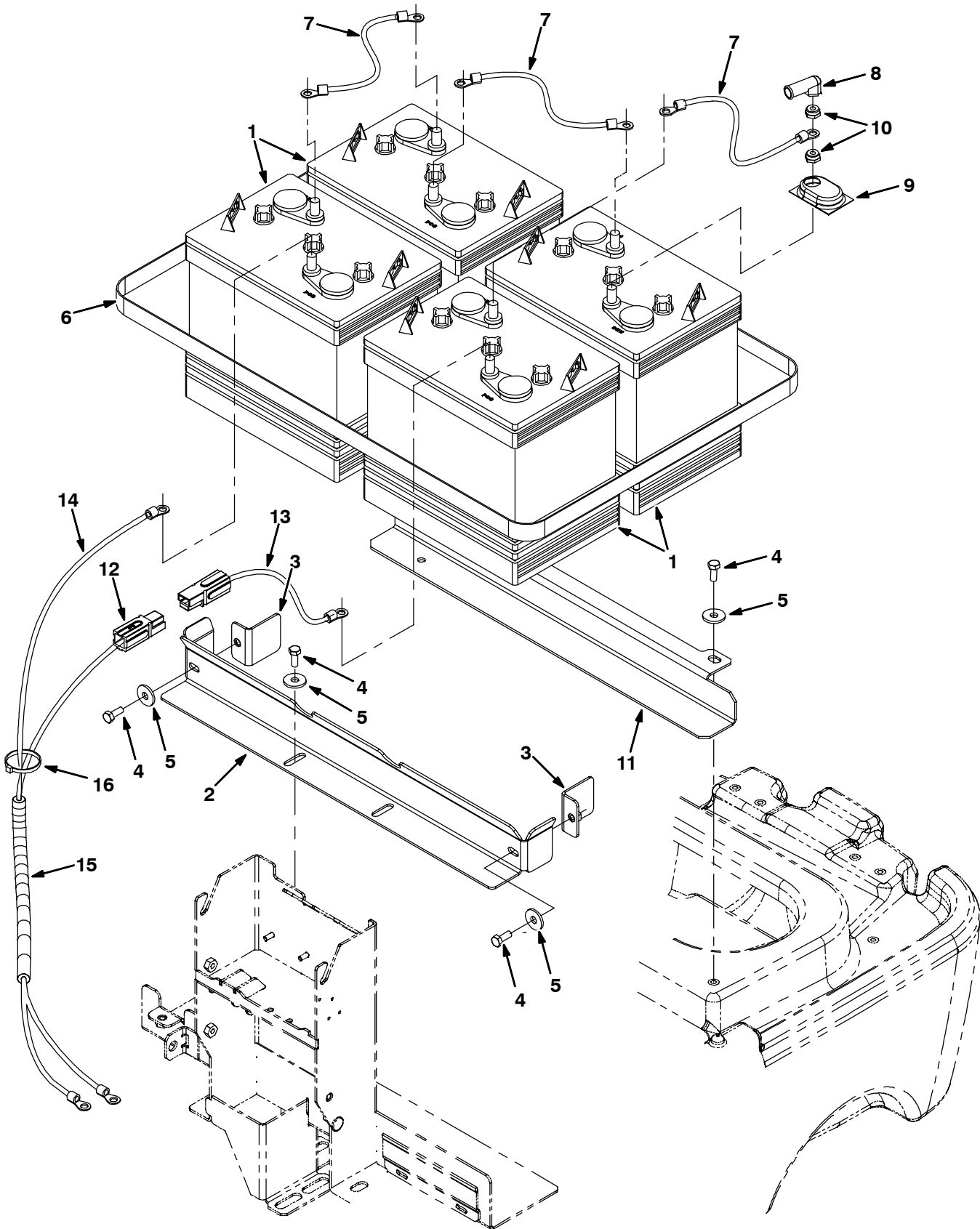


Fig. 19 - Battery Group, 235Ah

Ref.	Tennant- Part No.	Description	Qty.
1	222280	Battery, 06vdc, 235ah, Wet	4
2	1015039	Bracket, Battery	1
3	1017062	Angle, Spacer, Battery	2
4	09740	Screw, Hex, M8 X 1.25 X 20, Ss	6
5	1017218	Washer, Flat, 0.321b 1.00d .12, Ss	6
6	222682	Strap	1
7	223356	Wire, 04ga 12.0l Blk .34ring /.34ring	3
8	02076	Boot, 90deg .50d .57d X .84	8
9	45962	Cap, Plstc, .04 1.38 X 2.30 0.5l	8
10	87435	Nut, Hex, Flexlock, .31-18	16
11	1010771	Angle, Sppt, Battery	1
12	397907	Wire Assy, Cable, 4ga, Red	1
13	397908	Wire Assy, Cable, 4ga, Red	1
14	223364	Wire, 04ga 16.0l Blk .34ring /.34ring	1
15	1020105	Sleeve, Afmkt, Nyl, #13, 1ft	1
16	49263	Tie, Cable, Nyl, 11.4l .19w 3.0 Max D	3

Fig. 20 - Battery Group, 335Ah

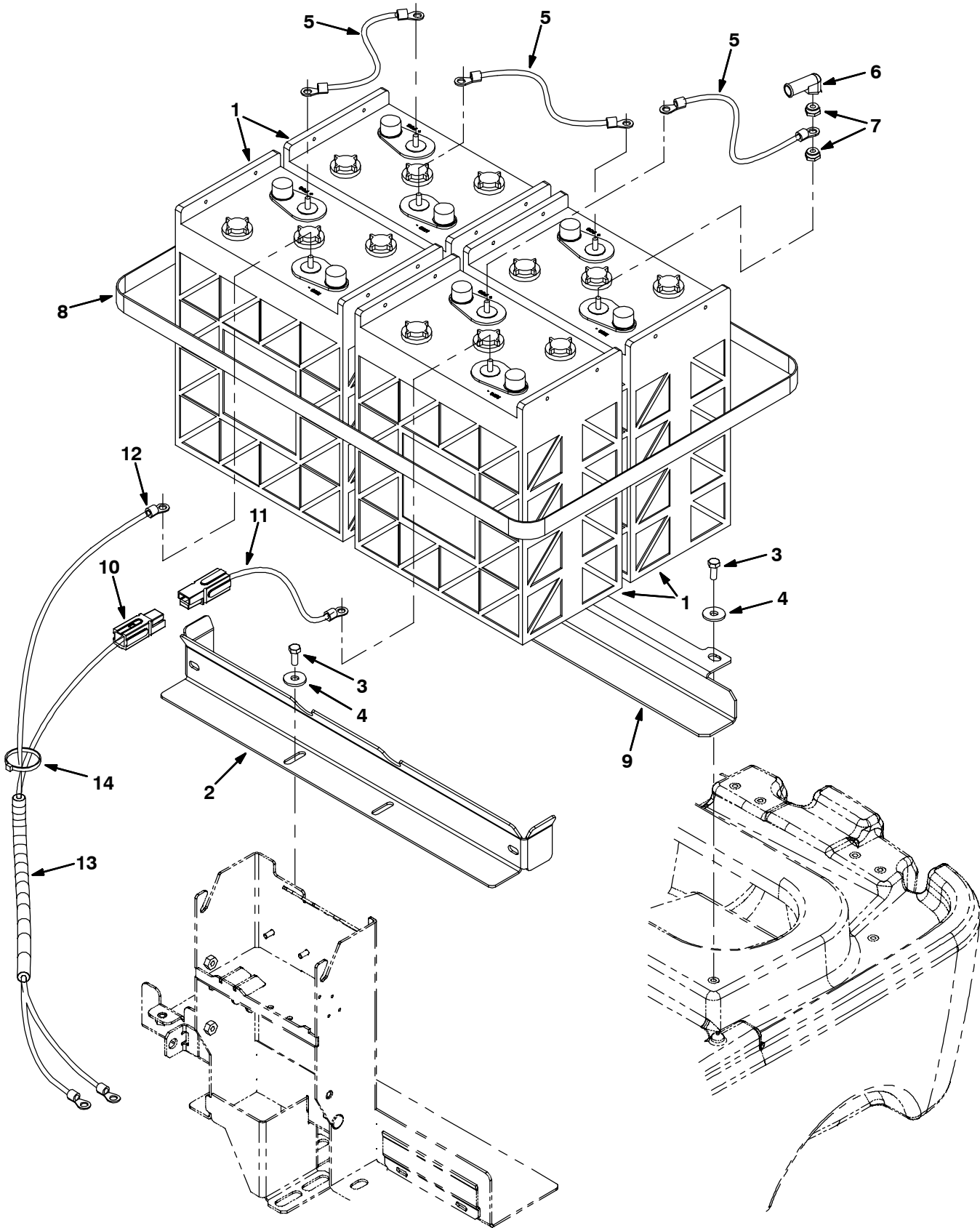


Fig. 20 - Battery Group, 335Ah

Ref.	Tennant- Part No.	Description	Qty.
1	222846	Battery, 06vdc, 335ah, Wet	4
2	1015039	Bracket, Battery	1
▽ 3	09740	Screw, Hex, M8 X 1.25 X 20, Ss	4
▲ 4	1017218	Washer, Flat, 0.321b 1.00d .12, Ss	4
5	223356	Wire, 04ga 12.0l Blk .34ring /.34ring	3
6	02076	Boot, 90deg .50d .57d X .84	8
7	87435	Nut, Hex, Flexlock, .31-18	16
8	222682	Strap	1
9	1010771	Angle, Sppt, Battery	1
10	397907	Wire Assy, Cable, 4ga, Red	1
11	397908	Wire Assy, Cable, 4ga, Red	1
12	223364	Wire, 04ga 16.0l Blk .34ring /.34ring	1
13	1020105	Sleeve, Afmkt, Nyl, #13, 1ft	1
14	49263	Tie, Cable, Nyl, 11.4l .19w 3.0 Max D	4

Fig. 21 - Rear Squeegee Lift Group

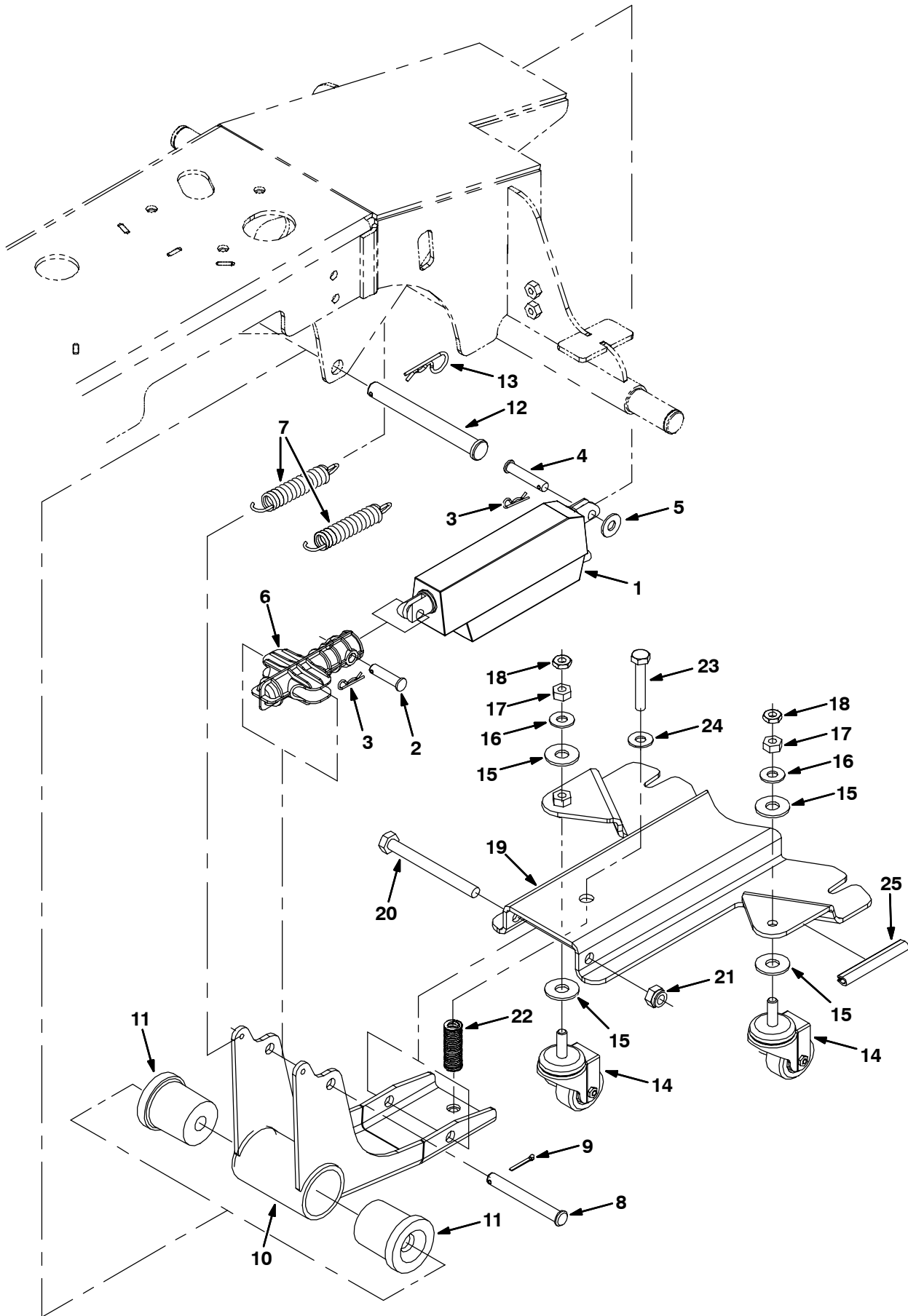


Fig. 21 - Rear Squeegee Lift Group

Ref.	Tennant- Part No.	Description	Qty.
1	1009268	Actuator, 12vdc, 40mm Strk 750n	1
2	1009356	Pin, Clevis , 10mm X 40l	2
3	86866	Pin, Hair Cotter, 0.38 D .072 Wir	2
4	94877	Pin, Clevis, 10d X 50l	1
5	01686	Washer, Flat, 0.44b 1.00 .08, Ss	1
6	1012607	Housing, Spring, Sqge Actuator	1
7	1016639	Spring, Extn, 0.75od X 0.11wir, 4.5l	2
8	96184	Pin, Clevis, 12d X 100l, Pl	1
9	08182	Pin, Cotter, .125 X 1.00	1
10	1012427	Arm Wldt, Sqge, Rear	1
11	1013515	Bushing, Flex, Ure	2
12	1010401	Pin, Clevis, 16d X 150l	1
13	02942	Pin, Hair Cotter, 0.62 D .120 Wir	1
14	1011561	Caster, Swivel, 50d, M10 X 1.5 X 30 Stem	2
15	41619	Washer, Flat, 0.56b 1.38d .11, Ss	4
16	01686	Washer, Flat, 0.44b 1.00 .08, Ss	2
17	07787	Nut, Hex, Std, M10 X 1.5, Ss	2
18	32716	Nut, Hex, Jam, M10 X 1.5, Ss	2
19	1018725	Channel, Arm, Lower Sqge	1
20	12138	Screw, Hex, M12 X 1.75 X 120, 8.8	1
21	09741	Nut, Hex, Lock, M12 X 1.75, NI, Ss	1
22	1020182	Spring, Cmpr, 20mm D X 44mm L	1
23	04417	Screw, Hex, M10 X 1.5 X 60, Ss	1
24	01686	Washer, Flat, 0.44b 1.00 .08, Ss	1
25	1020168	Molding, Afrmkt, Trim, Pvc, .08-.11, 1ft	1

Fig. 22 - Rear Squeegee Group, 650 mm (26 in)

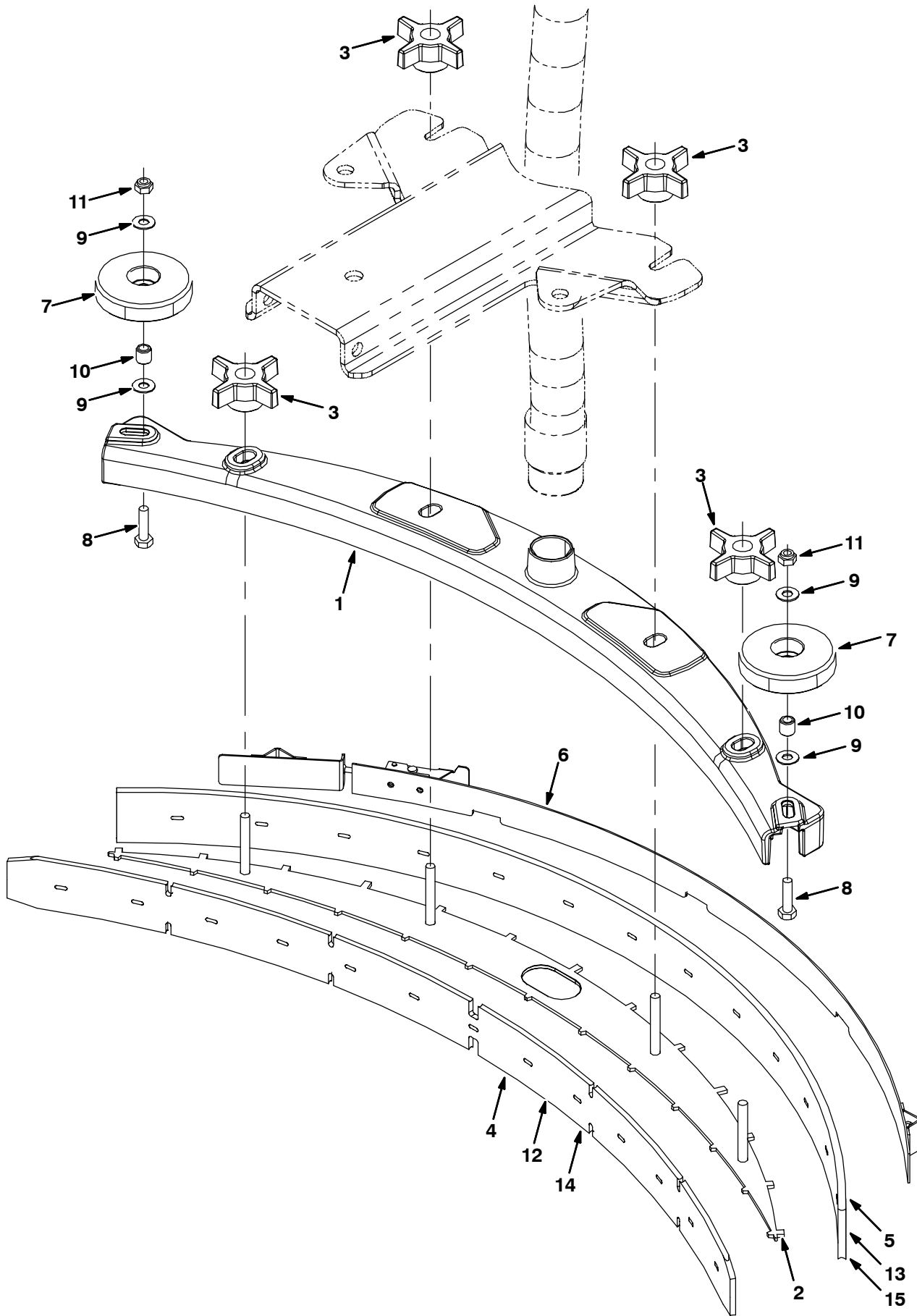


Fig. 22 - Rear Squeegee Group, 650 mm (26 in)

	Ref.	Tennant- Part No.	Description	Qty.
▽		9000139	Squeegee Kit, 650mm, Ci [T7/Ssr]	1
▲	1	1001468	Frame, Sqge, 700mm	1
▲	2	1012934	Plate Wldt, Sqge, Retainer, 700mm	1
▲	3	1015911	Knob, Star, 2.75d 4ear 1.1l M8x1.25 Thru	4
▲	4	390943	Blade, Sqge, Front, 700mm Linatex, 35.0l	1
▲	5	390942	Blade, Sqge, Rear, 700mm Linatex [37.5l]	1
▲	6	1013970	Strap Assy, Sqge, 700mm	1
▲	7	1010560	Wheel, Bmpr, 80d X 25w, Non-Marking	2
▲	8	09011	Screw, Hex, M8 X 1.25 X 30, Ss	2
▲	9	140027	Washer, Flat, 0.35b 0.75d .04, Ss	4
▲	10	222460	Sleeve, P/M, 0.496d 0.318b 0.50l 430ss	2
▲	11	08713	Nut, Hex, Lock, M8 X 1.25, NI, Ss	2
▽		391384	Squeegee Kit, Oil-Rstn, 700mm	1
▲	12	391377	Blade, Sqge, Front, 700mm Oil-Rstn,35.0l	1
▲	13	391378	Blade, Sqge, Rear, 700mm Oil-Rstn[37.0l]	1
▽		391386	Squeegee Kit, Tile, 700mm	1
▲	14	390943	Blade, Sqge, Front, 700mm Linatex, 35.0l	1
▲	15	390936	Blade, Sqge, Rear, 700mm Gum Rbr [37.5l]	1

Fig. 23 - Rear Squeegee Group, 800 mm (32 in)

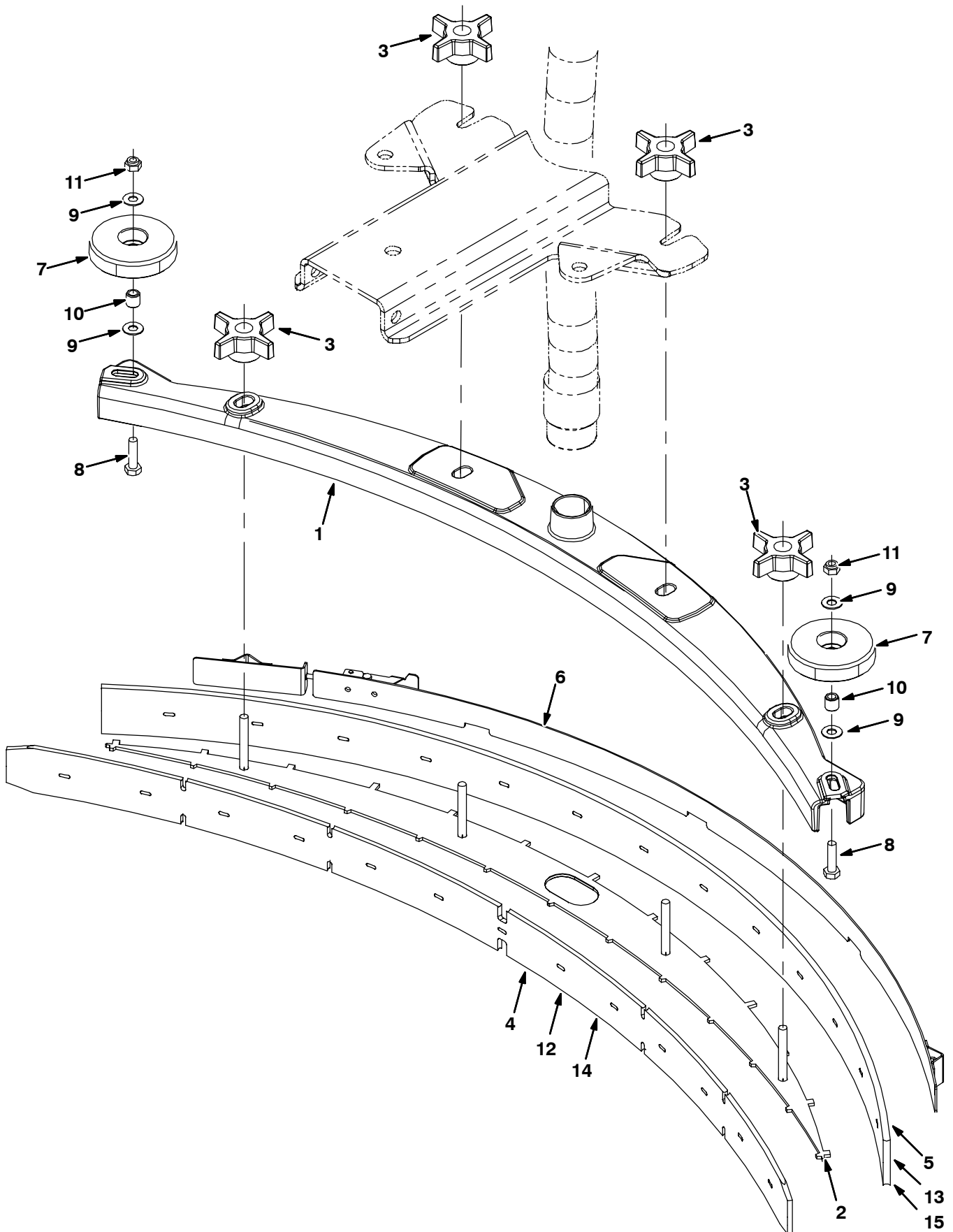


Fig. 23 - Rear Squeegee Group, 800 mm (32 in)

Ref.	Tennant- Part No.	Description	Qty.
▽	9000145	Squeegee Kit, 800mm, Ci [T7/Ssr]	1
▲	1 1012964	Frame, Sqge, 800mm	1
▲	2 1013395	Plate Wldt, Sqge, Retainer, 800mm	1
▲	3 1015911	Knob, Star, 2.75d 4ear 1.1l M8x1.25 Thru	4
▲	4 390923	Blade, Sqge, Front, 800mm Linatex, 41.5l	1
▲	5 390922	Blade, Sqge, Rear, 800mm Linatex [44.0l]	1
▲	6 1013974	Strap Assy, Sqge, 800mm	1
▲	7 1010560	Wheel, Bmpr, 80d X 25w, Non-Marking	2
▲	8 09011	Screw, Hex, M8 X 1.25 X 30, Ss	2
▲	9 140027	Washer, Flat, 0.35b 0.75d .04, Ss	4
▲	10 222460	Sleeve, P/M, 0.496d 0.318b 0.50l 430ss	2
▲	11 08713	Nut, Hex, Lock, M8 X 1.25, NI, Ss	2
▽	391383	Squeegee Kit, Oil-Rstn, 800mm	1
▲	12 391379	Blade, Sqge, Front, 800mm Oil-Rstn,41.5l	1
▲	13 391380	Blade, Sqge, Rear, 800mm Oil-Rstn[44.0l]	1
▽	391385	Squeegee Kit, Tile, 800mm	1
▲	14 390923	Blade, Sqge, Front, 800mm Linatex, 41.5l	1
▲	15 390934	Blade, Sqge, Rear, Gum Rbr, 800mm[44.0l]	1

Fig. 24 - Circuit Board Group

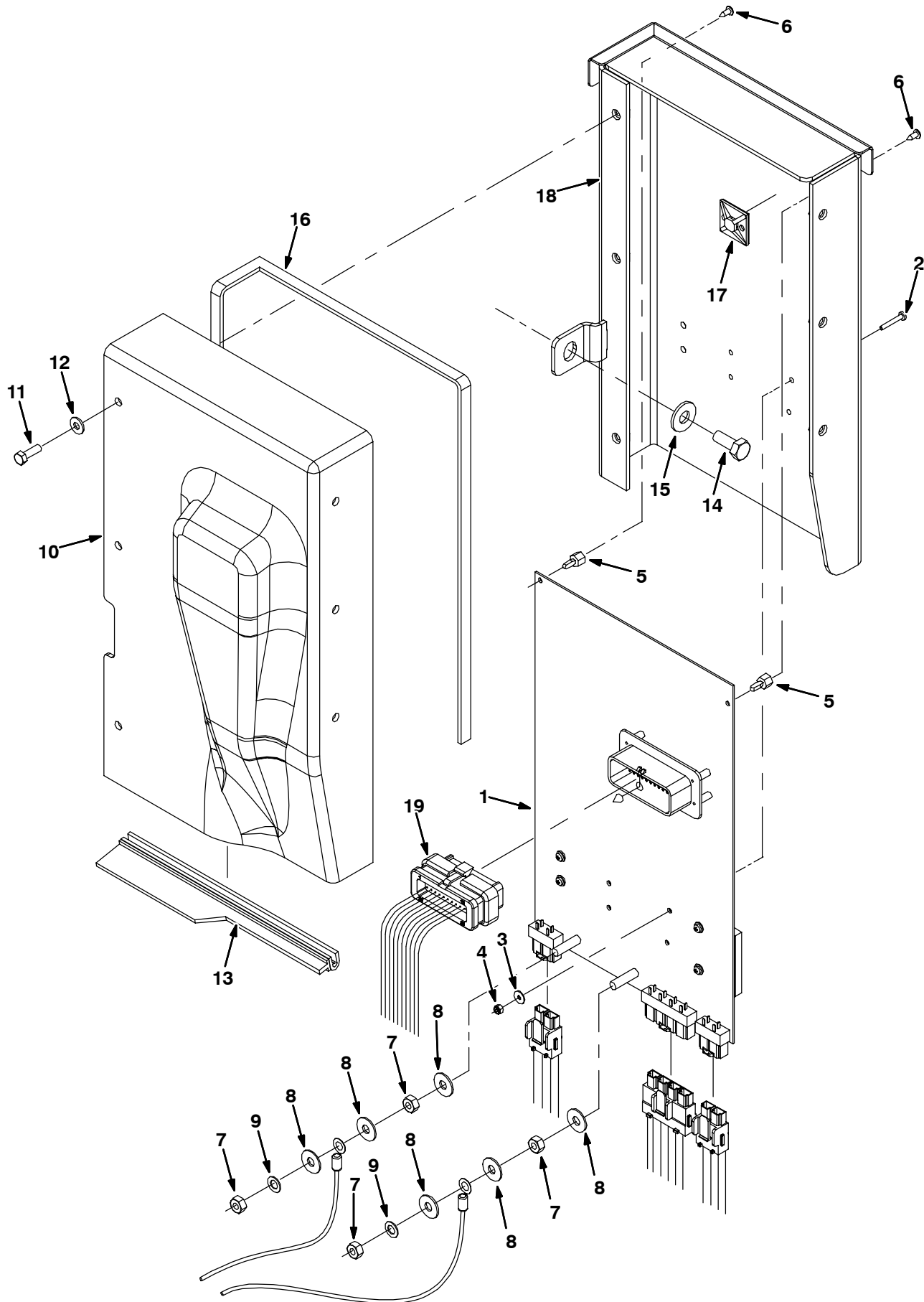


Fig. 24 - Circuit Board Group

	Ref.	Tennant- Part No.	Description	Qty.
▽	1	9001225	Controller Kit, Replmt, [T7]	1
▲	2	06922	Screw, Pan, M3 X 0.5 X 20, 4.8	4
▲	3	1019218	Washer, Flat, 0.14b 0.31d, Nyl	3
▲	4	579211	Nut, Hex, Lock, M3 X .5, Ss	3
▲	5	1016825	Support, Circuitboard	2
▲	6	3701.6	Screw, Pan, #06-32 X 0.38, Phl Ss Shtmtl	2
▲	7	07785	Nut, Hex, Std, M6 X 1.0, A2, Ss	4
▲	8	01684	Washer, Flat, 0.25 Ss	6
▲	9	32982	Washer, Lock, Int, 0.25	2
	10	1017812	Cover, Panl, Ele	1
	11	24199	Screw, Hex, M5 X 0.8 X 16, Ss	6
	12	76426	Washer, Sealing, 0.28b 0.75d Ss/Neo	6
	13	1019083	Seal, Cut	1
	14	09740	Screw, Hex, M8 X 1.25 X 20, Ss	1
	15	01685	Washer, Flat, 0.31 Ss	1
	16	1017880	Seal, Strip, Adh	1
	17	55248	Mount, Cable Tie	1
	18	1017754	Panel, Wldt, Cntrl	1
	19	1016865	Cable, Ribbon	1

Fig. 25 - Electrical Group

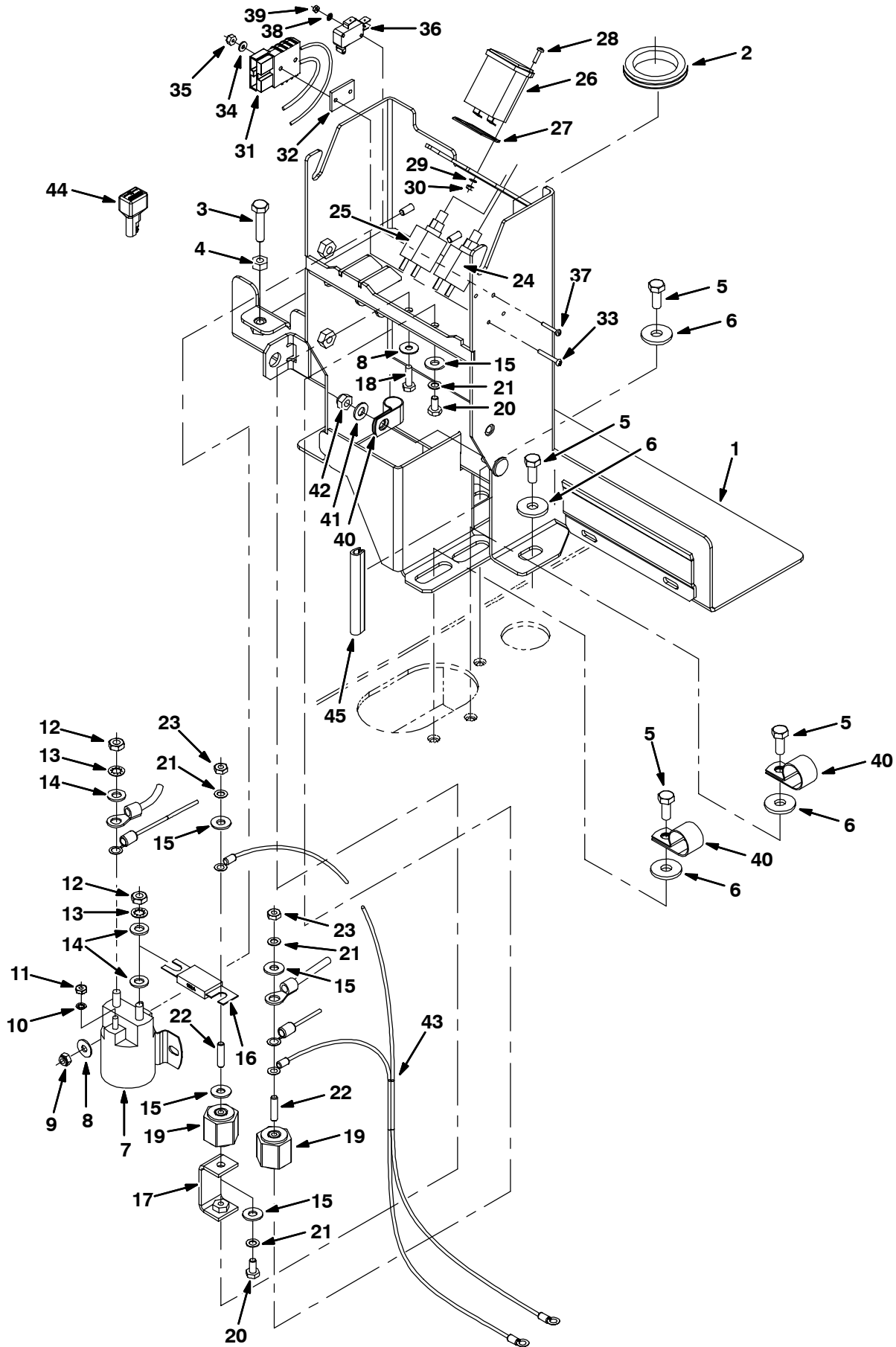


Fig. 25 - Electrical Group

Ref.	Tenant- Part No.	Description	Qty.
1	1011704	Support Wldt, Actuator	1
2	54345	Grommet, Rbr, 1.62id, F/ 1.9h, .13matl	1
3	09023	Screw, Hex, M8 X 1.25 X 35, Ss, Fl	1
4	07786	Nut, Hex, Std, M8 X 1.25, Ss	1
5	09740	Screw, Hex, M8 X 1.25 X 20, Ss	5
6	1017218	Washer, Flat, 0.321b 1.00d .12, Ss	5
7	02424	Relay, 24vdc, 100a, Sp N/O [White]	1
8	01684	Washer, Flat, 0.25 Ss	3
9	08712	Nut, Hex, Lock, M6 X 1.0, Ss, NI	2
10	07514	Washer, Lock, Int, #10, Ss	2
11	01689	Nut, Hex, Std, #10-32, Ss	2
12	20170	Nut, Hex, Jam, .31-24	2
13	32984	Washer, Lock, Int, .31	2
14	39349	Washer, Flat, 0.31 Sae	3
15	32490	Washer, Flat, 0.25 Std	5
16	86379	Fuse, .88 X 3.2l 100a 125vac	1
17	1018546	Bracket, Stand-Off	1
18	08716	Screw, Hex, M6 X 1.0 X 20, Ss	1
19	76062	Insulator, Panel & Switchboard	2
20	58670	Screw, Hex, .25-20 X 0.50, NI	2
21	32982	Washer, Lock, Int, 0.25	4
22	1017807	Rod, Thrd, Full, .25-20 01.0l	2
23	32520	Nut, Hex, Jam, .25-20	2
24	383720	Circuitbreaker, 5.0a	1
25	383722	Circuitbreaker, 15.0a	1
26	31988	Gauge, Hourmeter, 12-60vdc, Analog, Rt	1
27	222683	Gasket, Hourmeter	1
28	09146	Screw, Pan, M3 X 0.5 X 12, 4.8	2
29	39658	Washer, Lock, Int, #04	2
30	01754	Nut, Hex, Std, M3 X 0.5, 8	2
31	391915	Harness, Chrgr [T7]	1
32	603331	Spacer, Charger Plug	1
33	25005	Screw, Pan, #06-32 X 1.00, 1	2
34	19064	Washer, Flat, #06	2
35	75939	Nut, Hex, Lock, #06-32, NI	2
36	600437	Switch, Snap Actn, 250vac 16a Rlr	1
37	06922	Screw, Pan, M3 X 0.5 X 20, 4.8	2
38	39658	Washer, Lock, Int, #04	2
39	01754	Nut, Hex, Std, M3 X 0.5, 8	2
40	69234	Clamp, Cable, Stl, 1.00d X 0.62w, 1h	3
41	01685	Washer, Flat, 0.31 Ss	1
42	08713	Nut, Hex, Lock, M8 X 1.25, NI, Ss	1
43	391916	Harness, Power, [T7]	1
44	222290	Diode, Ele, Plug	2
45	1020168	Molding, Afrmkt, Trim, Pvc, .08-.11, 1ft	1

Fig. 26 - Electrical Schematic

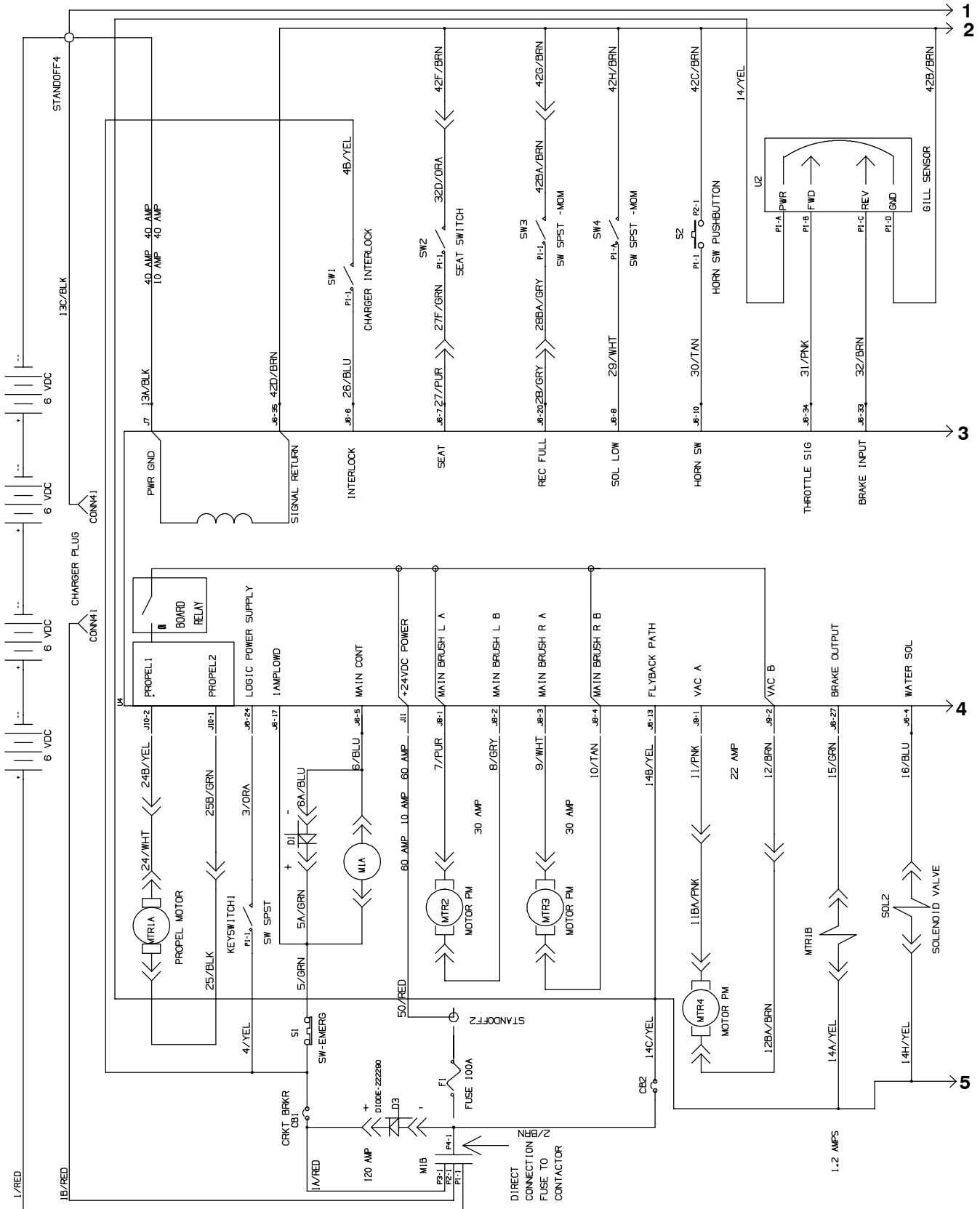
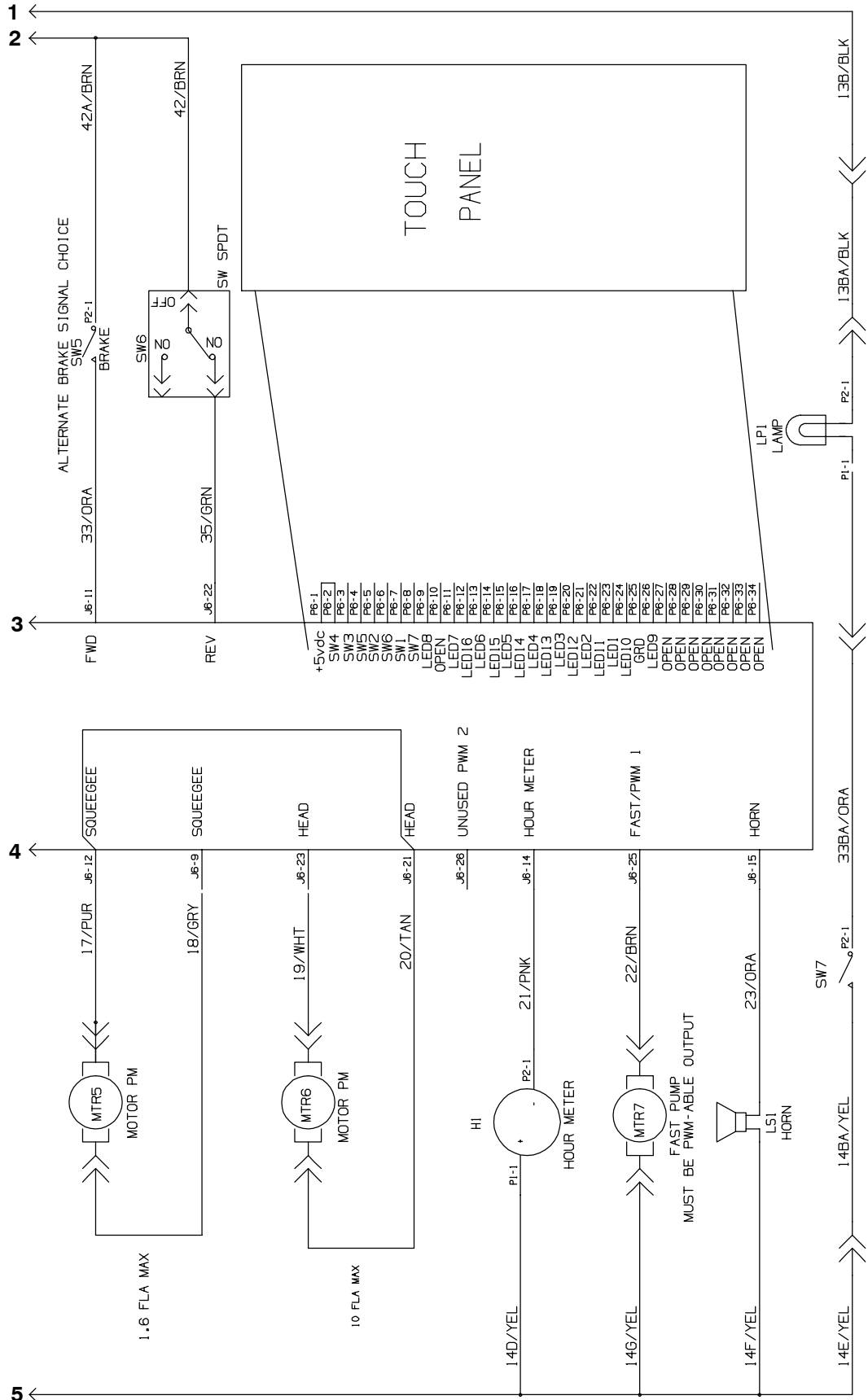


Fig. 26 - Electrical Schematic



1. 1/RED and 13/BLK will remain as before.
2. All other wires will have a specific wire color based on the one's digit of the wire number as follows:

x1=PNK (except 1/RED)	x6=BLU	x7=PUR
x2=BRN	x8=GRY	x9=WHT
x3=ORA (except 13/BLK)	x10=TAN	
x4=YEL		
x5=GRN		

Fig. 27 - Wire Harness Group

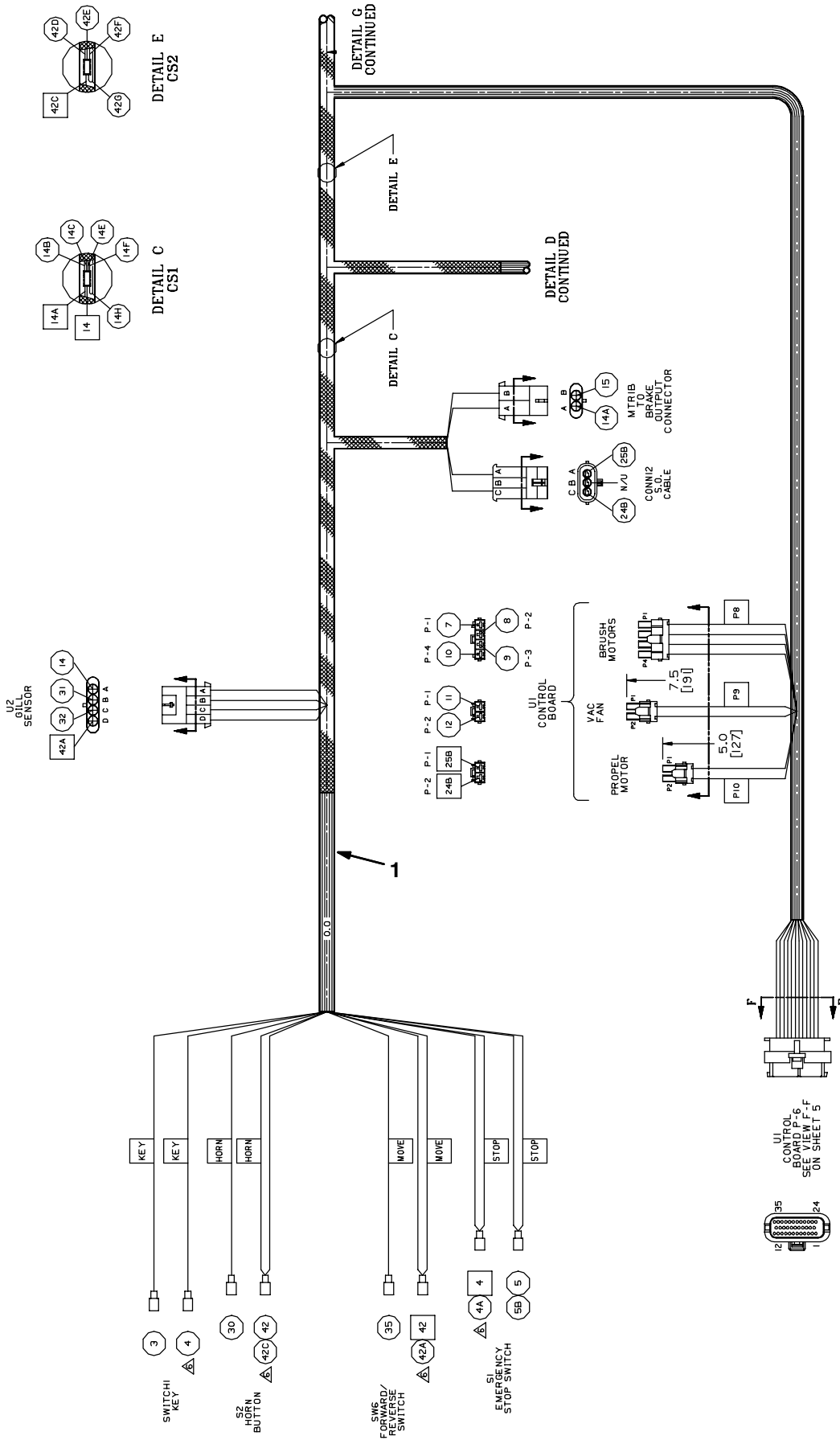


Fig. 27 - Wire Harness Group

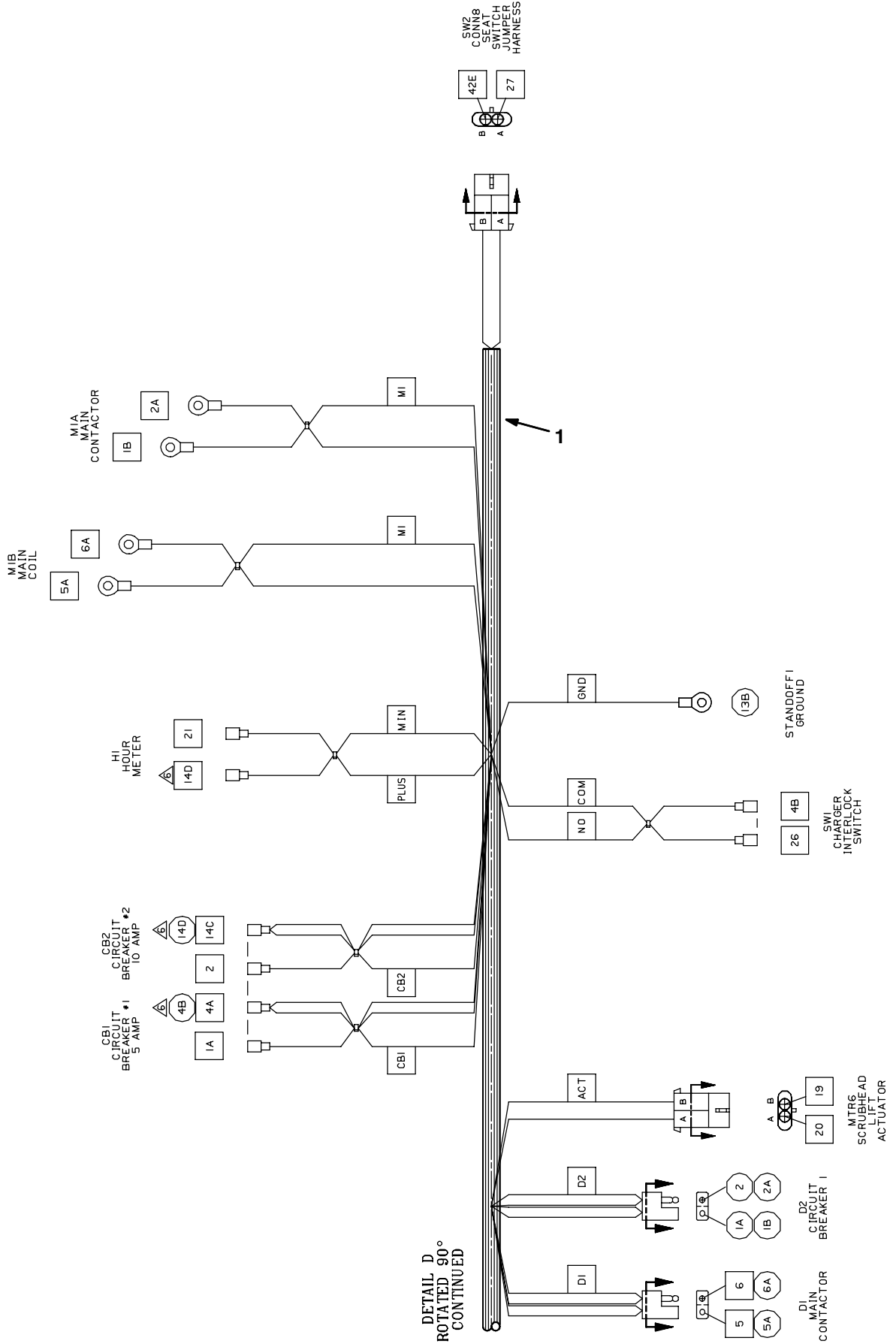


Fig. 27 - Wire Harness Group

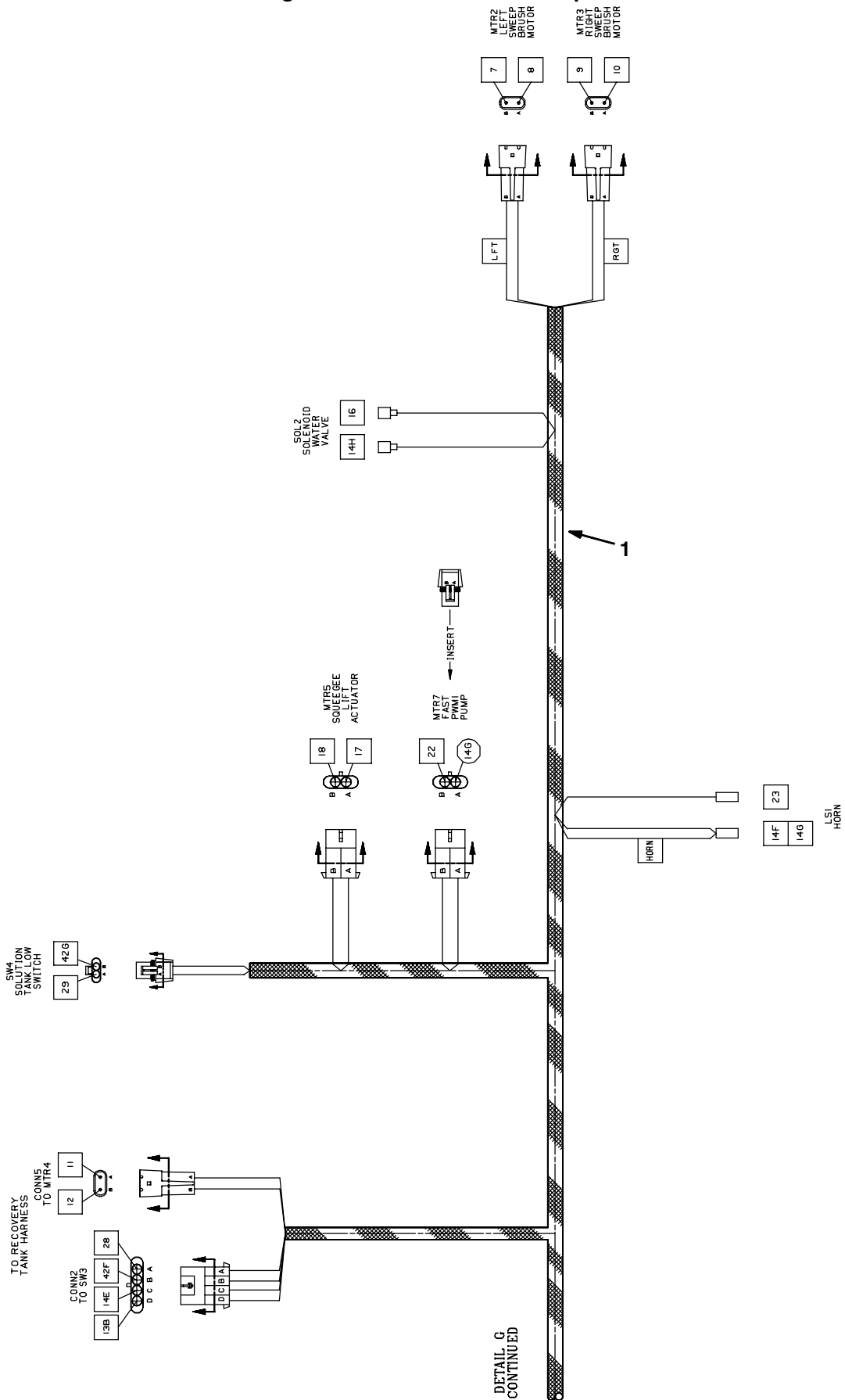
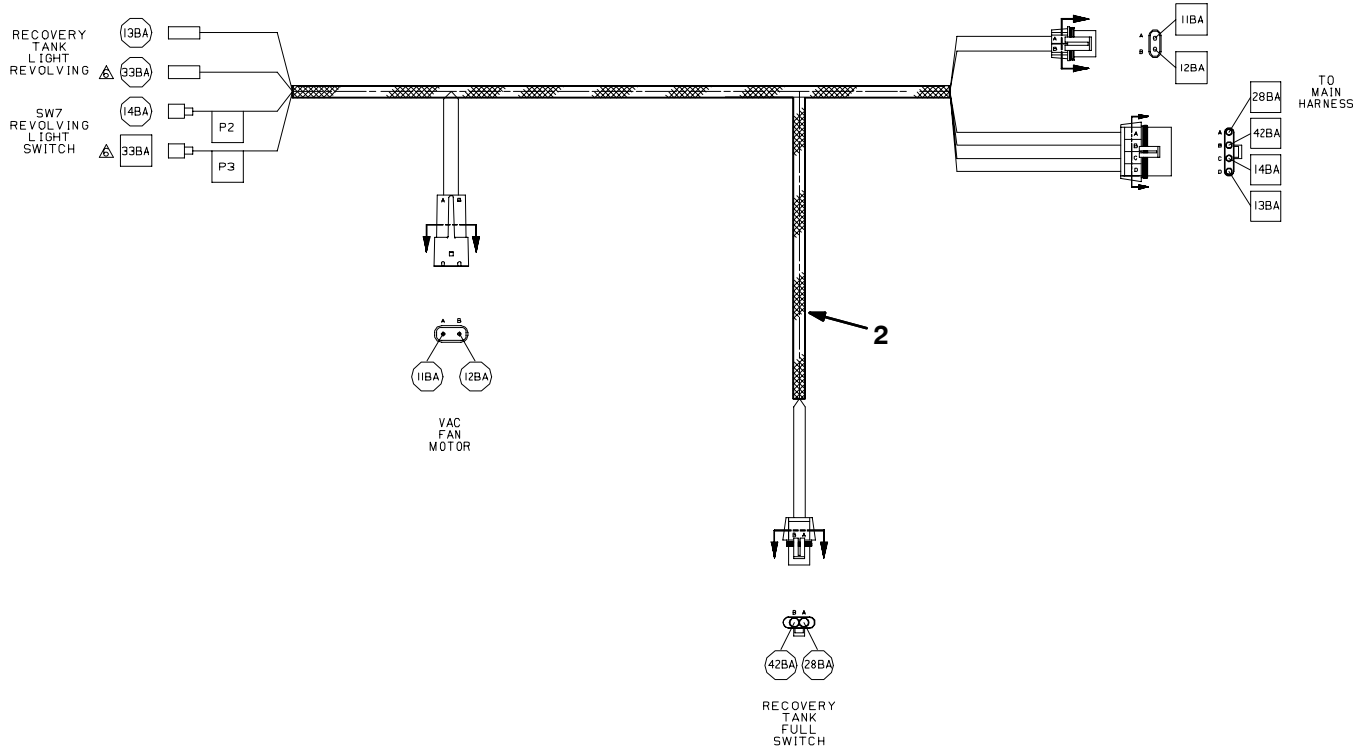
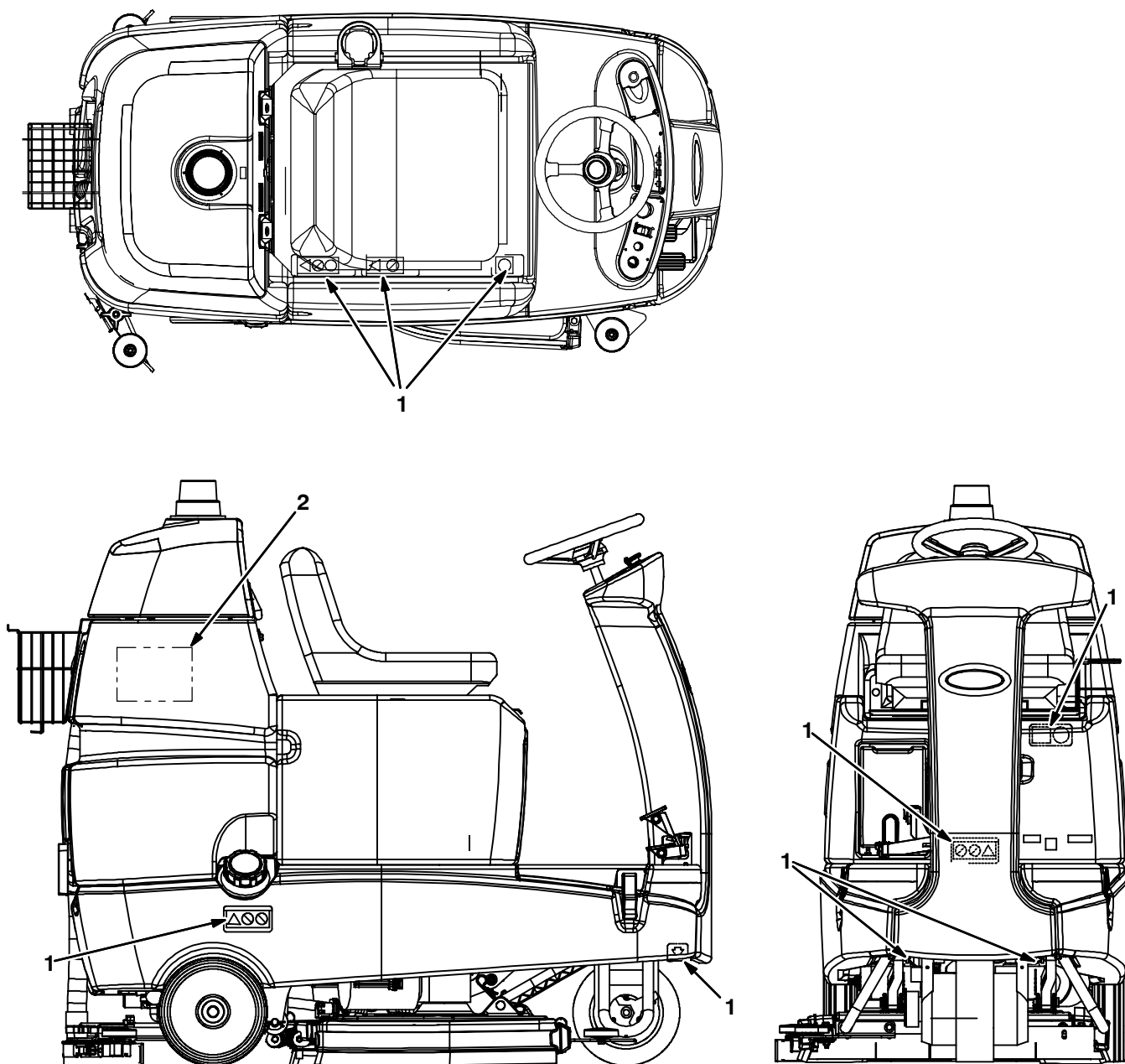


Fig. 27 - Wire Harnesses Group



Ref.	Tennant-Part No.	Description	Qty.
1	391912	Harness, Main [T7]	1
2	391913	Harness, Tank, [T7]	1

Fig. 28 - Label Group



1014751

Ref.	Tennant-Part No.	Description	Qty.
1	1015167	Label Set, Info/Hzrd	1
2	1016054	Label, Model, Side, White [T7]	2
2	1016056	Label, Model, Side, White [T7 Fast]	2

SECTION 3

Contents	Page
Fig. 1 - FaST Group	3-2
Fig. 2 - Flashing Light Kit	3-4
Fig. 3 - Battery Charger Group	3-5
Fig. 4 - Basket Kit	3-6
Fig. 5 - Documentation Group	3-7

Fig. 1 - FaST Group

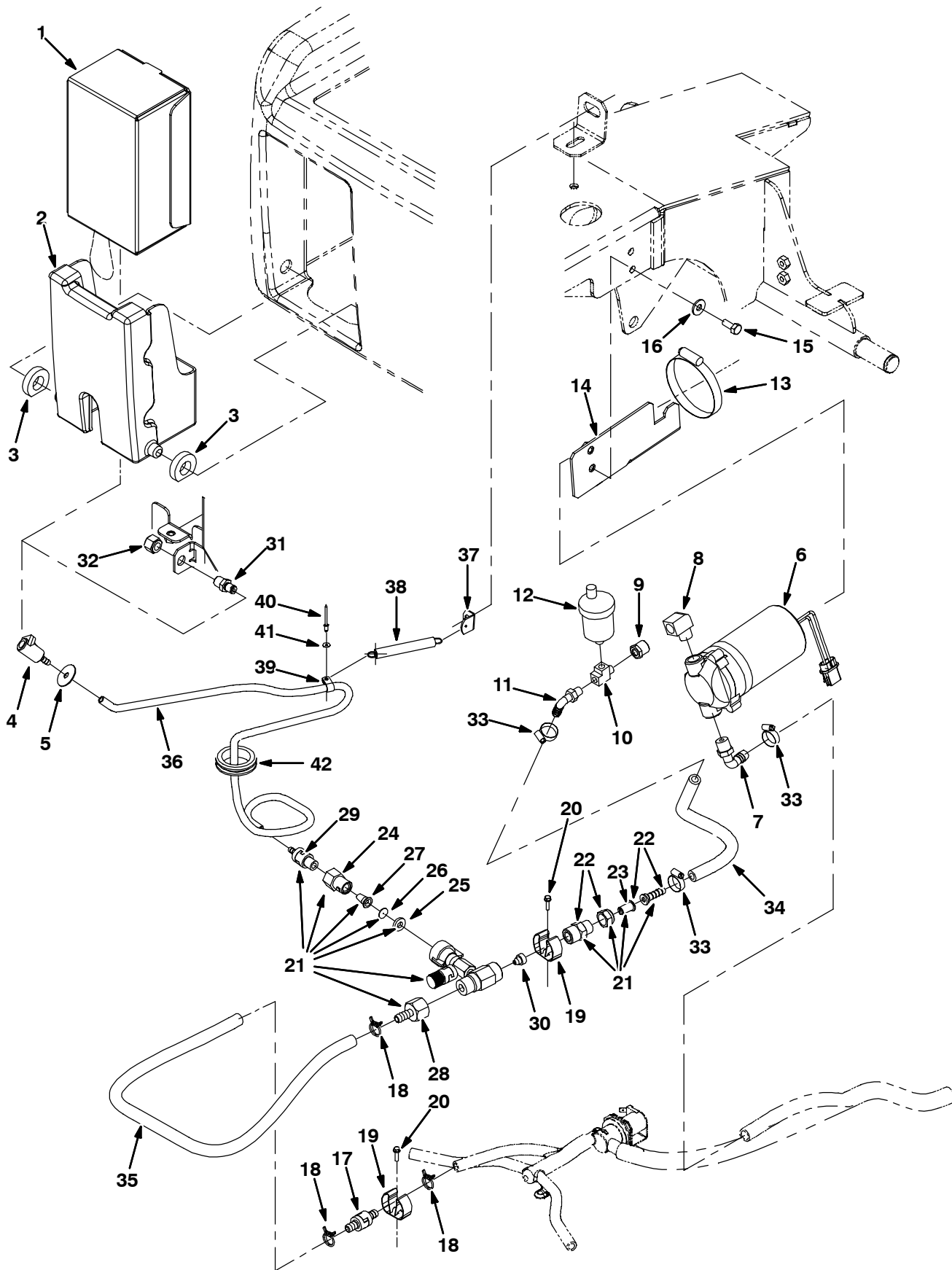
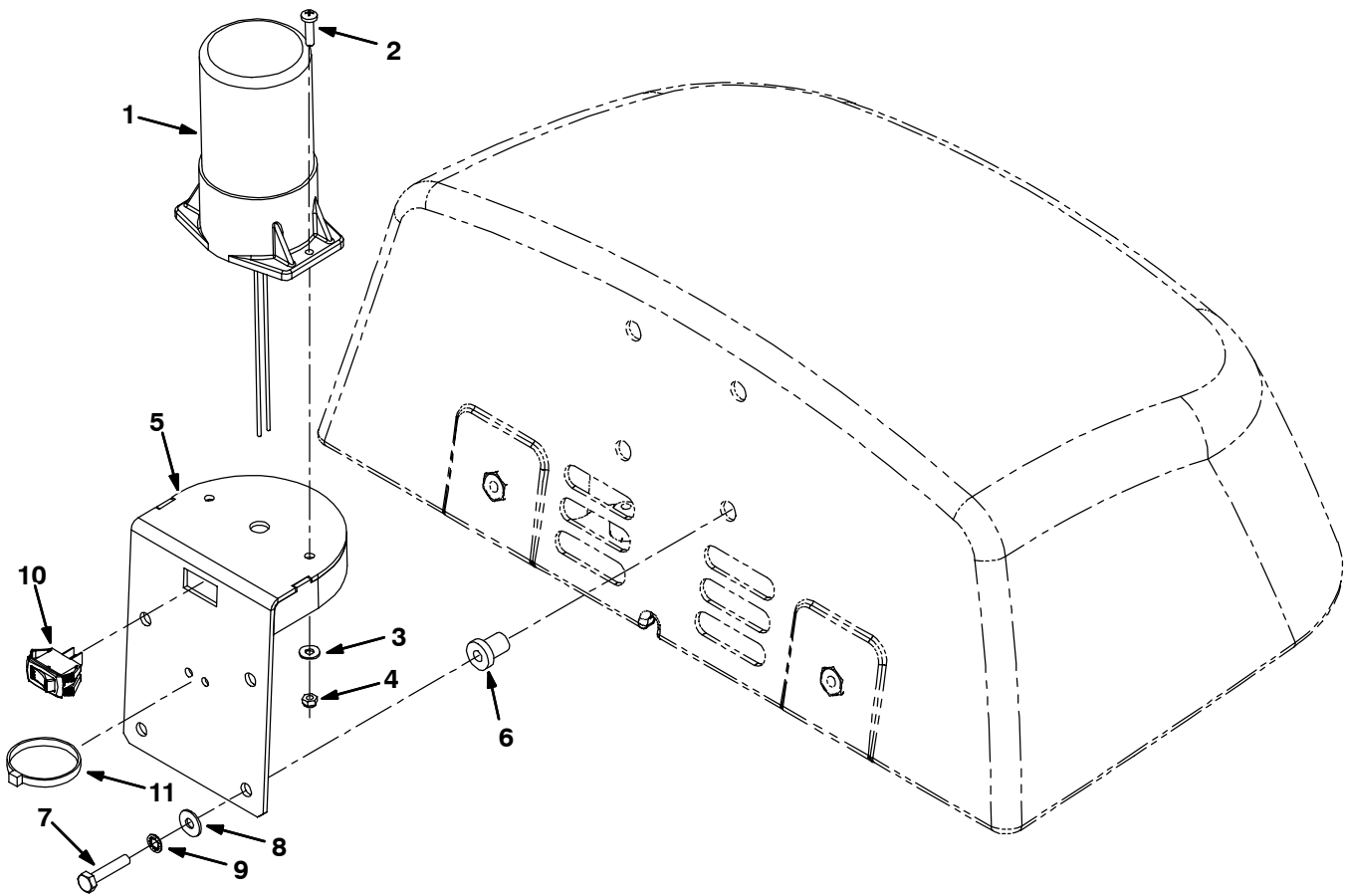


Fig. 1 - FaST Group

Ref.	Tenant-Part No.	Description	Qty.	
1	1017015	Detergent Pkg, 2 Liter, Sgl, 365	1	
2	1012087	Box, Holder [Fast Trimmed]	1	
3	1016553	Seal, Rbr	2	
4	1002898	Fitting, Plstc, Str, Bm04, Cplg, Fem	1	
5	30013	Washer, Flat, 0.31 Fender	1	
▽	6	1014282	Pump, Soltn, Ele, 24vdc	1
▲	9001240	Pump Kit, Head, Soltn	1	
7	64778	Fitting, Plstc, E90, Bm08/Pm06	1	
8	24584	Fitting, Brs, E90, Pm06/Pf06 Special	1	
9	24698	Fitting, Brs, Str, Pf02/Pm06	1	
10	26426	Fitting, Brs, Tee, Pf02/Pm02/Pm02	1	
11	1005564	Fitting, Plstc, E90, Bm06/Pm02, Nyl	1	
12	1017386	Valve, Air Vent, Float Type	1	
13	43555	Clamp, Hose, Wormdrive, 1.62-3.50d, .56w	1	
14	1014617	Bracket, Pump, Soltn	1	
15	09740	Screw, Hex, M8 X 1.25 X 20, Ss	2	
16	01685	Washer, Flat, 0.31 Ss	2	
17	1015455	Valve, Check, Bm06/Bm06, 5psi	1	
18	607775	Clamp, Hose, Wire, .63 - .66, Blk	3	
19	1014295	Clip, Spring Holder Blk Vinyl Coat	2	
20	1016520	Screw, Hex, M4 X 0.7 16 Fmg, Ss	2	
▽	21	1014265	Injector Assy [Fast]	1
▲▽	22	1013411	Filter Assy, 50 Mesh	1
▲▲	23	1013408	506ter, Brass/Ss, 50 Mesh	1
▲▲	24	1005507	Fitting, Plstc, Body, Spray, Pf04	1
▲▲	25	1005508	Washer, Flat, 0.34b 0.75d .12, Viton	1
▲▲	26	1015842	Plate, Orifice, 0.008	1
▲▲	27	1014203	Screen, 300 Mesh, Fused Bronze	1
▲	28	1014276	Fitting, Brs, Str, Bm06/Pf12	1
▲	29	1014254	Valve, Check, Bm04/Pm04, 2psi	1
▲	30	1013382	Plug, Orifice, .033	1
31	1002899	Fitting, Plstc, Str, Pm04, Cplg, Mal	1	
32	1005435	Fitting, Plstc, Pipe, Cap, Pf04	1	
33	54333	Clamp, Hose, Wormdrive, 0.31-0.88d, .31w	3	
34	1014974	Hose, Afmkt, Pvc, Brd 0.38id 2ft	1	
35	1006400	Hose, Afmkt, Pvc, Brd 0.38id 3ft	1	
36	1006415	Hose, Afmkt, Pvc, Clr 0.25id 3ft	1	
37	18188	Bracket, Spring	1	
38	1018504	Spring, Extn, 0.50od X 0.04wir, 4.0l	1	
39	26395-2	Clamp, Cable, Stl, 0.38d X 0.38w, 1h	1	
40	56799	Rivet, Blind, .125d X 0.38 X .25d, Alm	1	
41	02892	Washer, Flat, 0.12b 0.38d .03, Stl, Pl	1	
42	10632-13	Grommet, Rbr, 1.50id, F/ 1.8h, .19matl	1	

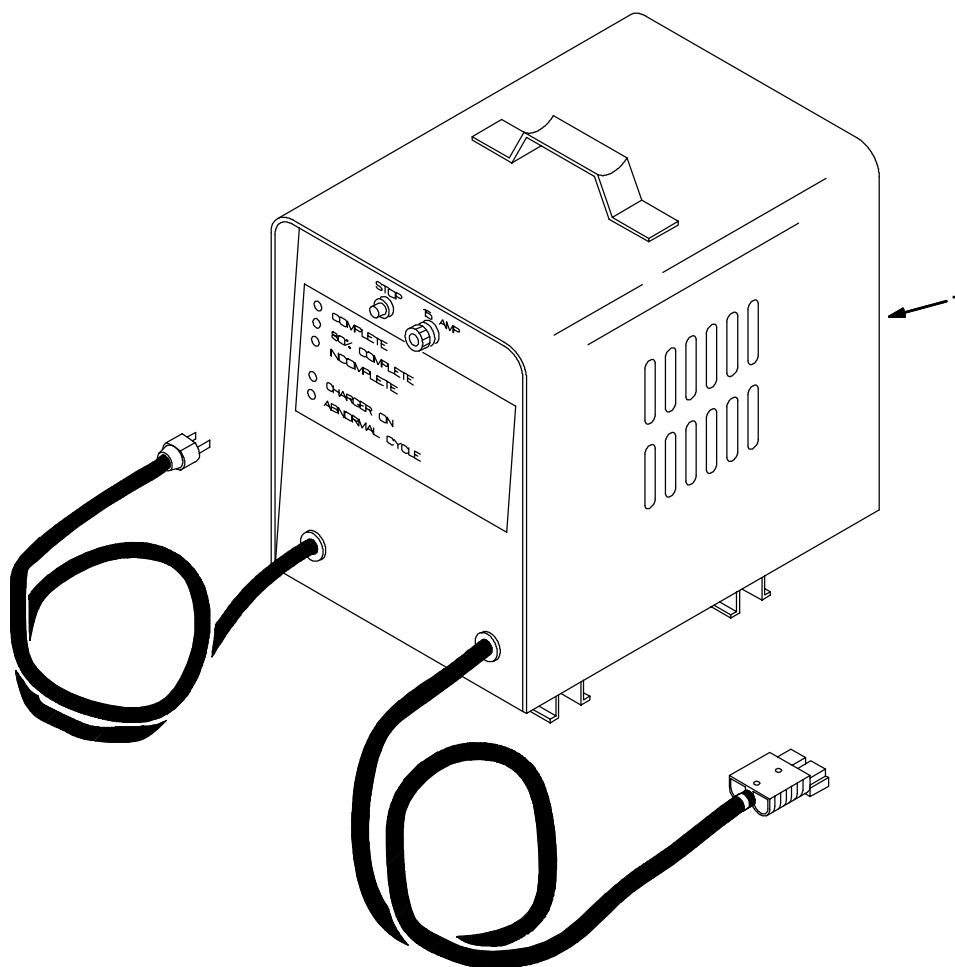
Fig. 2 - Flashing Light Kit



1010730

Ref.	Tennant-Part No.	Description	Qty.
▽	9000581	Light Kit, Flsh, Ci [T7/Ssr]	1
▲▽	1 1015170	Light Assy, Flsh, 24vdc	1
▲▲	1014564	Lamp, 24vac, Flsh	1
▲	2 24196	Screw, Pan, M5 X 0.8 X 20, Ss	2
▲	3 01683	Washer, Flat, #10 Ss	2
▲	4 09739	Nut, Hex, Lock, M5 X 0.8, NI, Ss	2
▲	5 1014527	Bracket Wldt, Light, Flsh	1
▲	6 61913	Nut, Isolator, .25-20 Wall Thk .031-.187	4
▲	7 01699	Screw, Hex, .25-20 X 1.25, Ss	4
▲	8 01684	Washer, Flat, 0.25 Ss	4
▲	9 07515	Washer, Lock, Int, .25, Ss	4
▲	10 130717	Switch, Rocker, 250vac 15a Spst On/Off	1
▲	11 130040	Tie, Cable, Nyl, 06.0L .12W	1

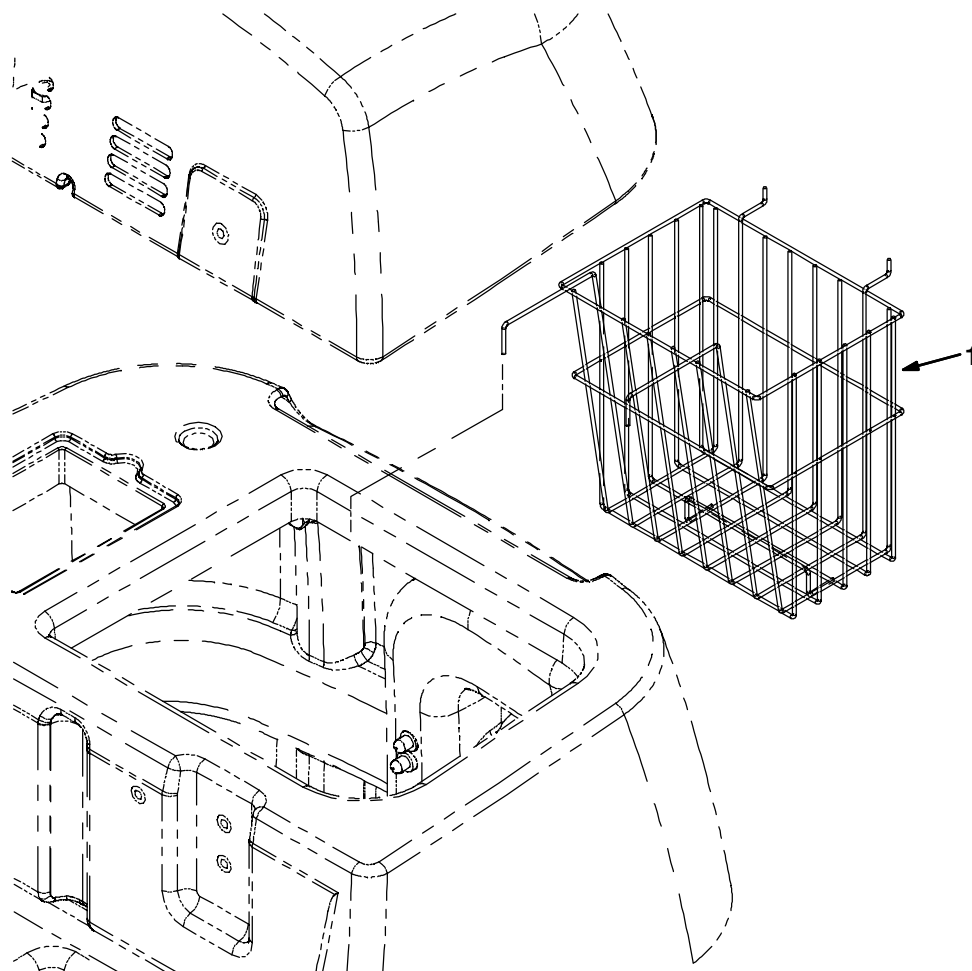
Fig. 3 - Battery Charger Group



350771

Ref.	Tennant-Part No.	Description	Qty.
1	603235	Charger 24dc/20a/120ac Redplug	1
1	130871	Charger 24vdc 25amp 120ac/60hz	1
International Only			
1	604281	Charger "World" 24Vdc/20Amp	1
1	604282	Charger 24Vdc/30Amp/World	1

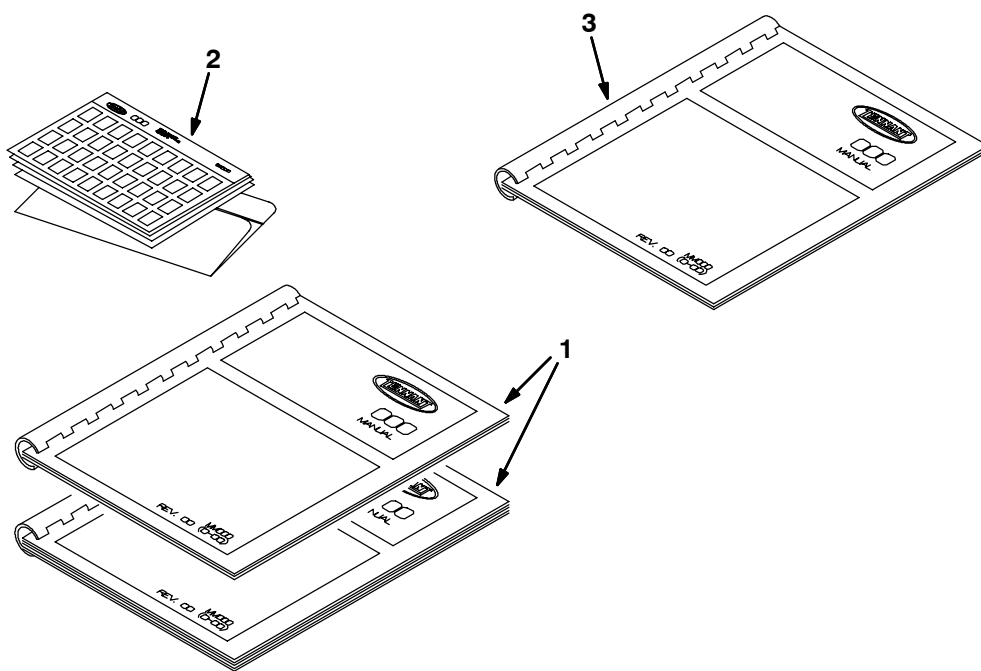
Fig. 4 - Basket Kit



1010730

Ref.	Tennant- Part No.	Description	Qty.
1	9001004	Basket Kit, Ci	1

Fig. 5 - Documentation Group



07501

Ref.	Tennant-Part No.	Description	Qty.
1	331040	Manual Pkg, [T7 Ele Na]	1
2	331041	Manual, Fiche, [T7 Ele Na]	1
3	331042	Manual, Oprtr, [T7 Ele Es Na]	1
3	331043	Manual, Oprtr, [T7 Ele Fr Na]	1

SECTION 4

Contents	Page
Fig. 1 - Vacuum Fan Motor Breakdown, 1013432	4-2
Fig. 2 - Front Wheel Gearbox Breakdown, 1019723	4-4
Fig. 3 - Steering Control Breakdown, 1019724 ..	4-5

Fig. 1 - Vacuum Fan Motor Breakdown, 1013432

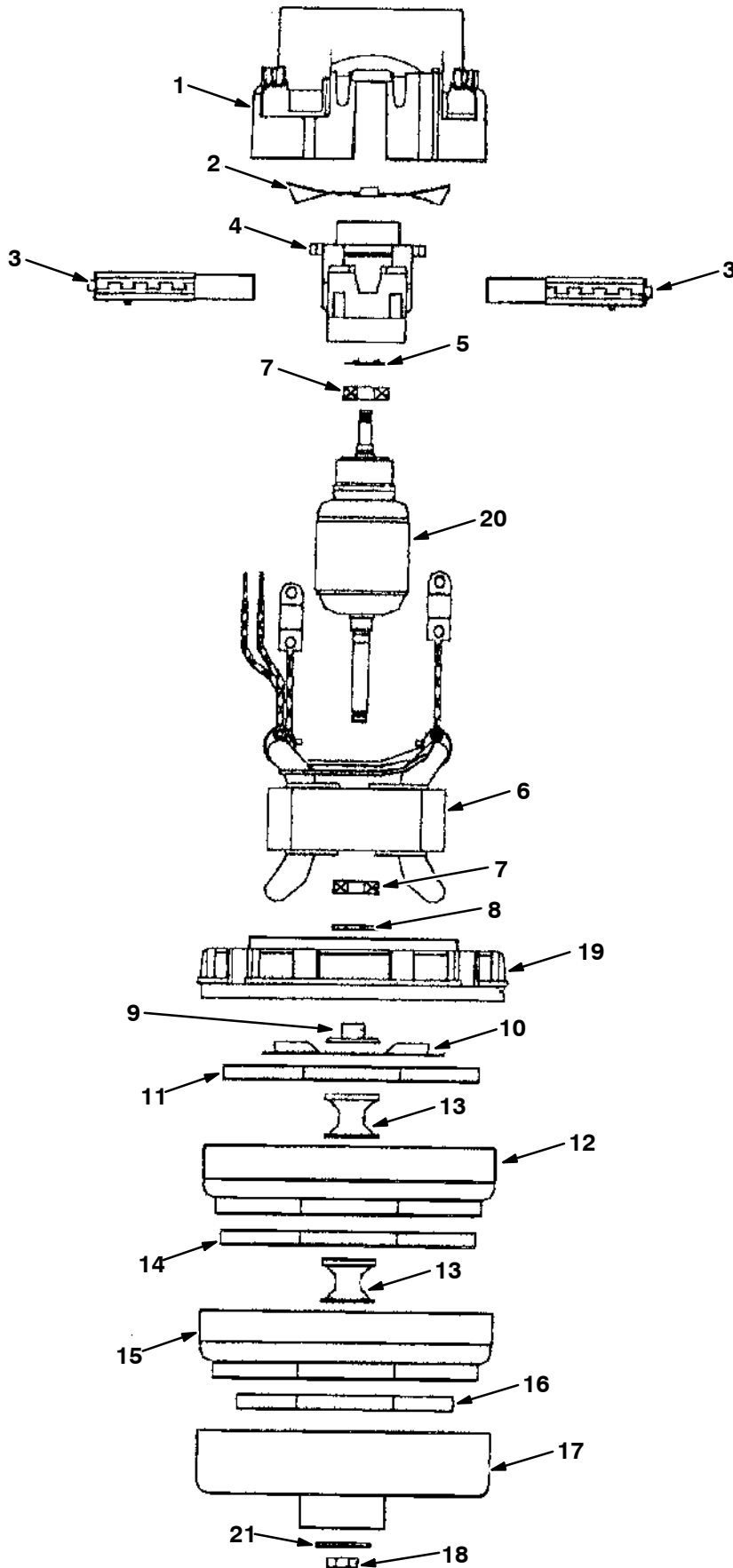
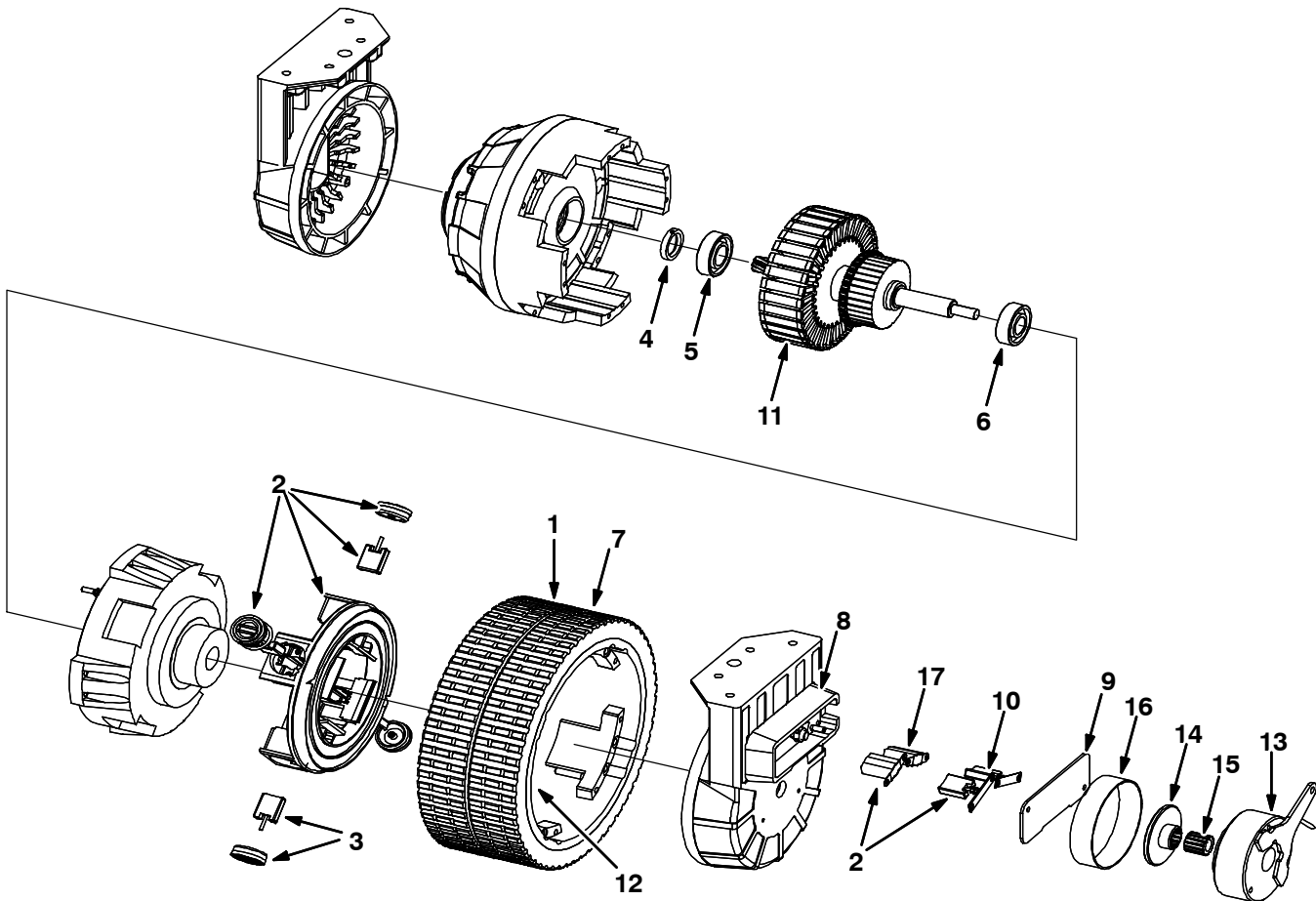


Fig. 1 - Vacuum Fan Motor Breakdown, 1013432

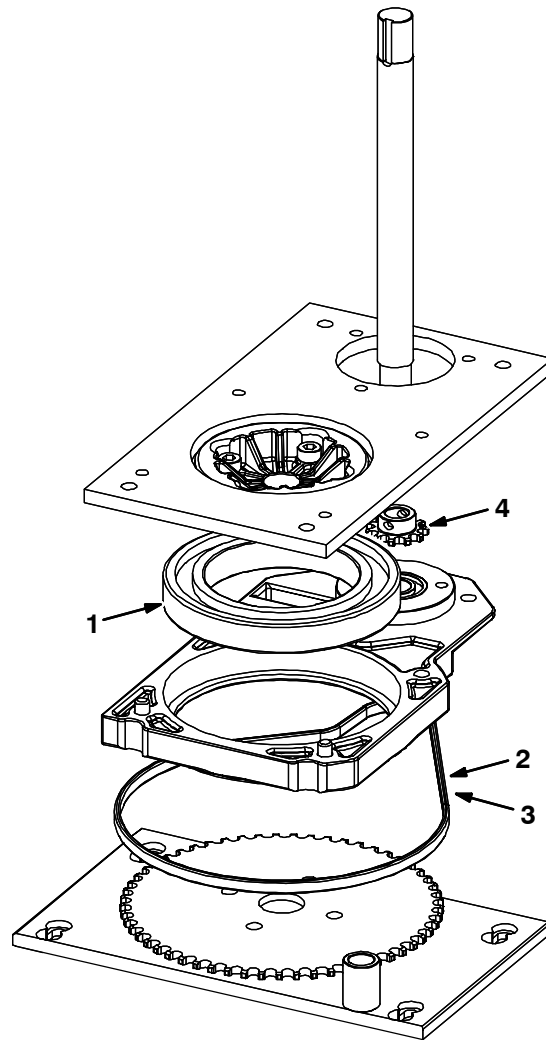
	Ref.	Tenant- Part No.	Description	Qty.
▽		1013432	Fan, Vacuum, 5.7, 3s 24v Bpt	1
▲	1	398511	Housing	1
▲	2	398512	Fan	1
▲	3	372883	Brush Kit, Motor, Ele	1
▲	4	398514	Bracket	1
▲	5	01856	Spring, Brg, Motor, Vacfan	1
▲	6	372885	Commutator	1
▲	7	01837	Bearing, Motor, Vacfan	2
▲	8	372886	Washer	1
▲	9	398516	Spacer	1
▲	10	01971	Impeller, Vacfan	1
▲	11	372888	Impeller, Fan	1
▲	12	60387	Fan	1
▲	13	398517	Spacer	2
▲	14	18628	Impeller, Vacfan	1
▲	15	61297	Housing, Impeller, Vacfan	1
▲	16	372889	Impeller, Fan	1
▲	17	372890	Shell, Fan	1
▲	18	37929	Nut, Impeller, Vacfan	1
▲	19	372887	Bracket, End, Fan	1
▲	20	372884	Armature	1
▲	21	378983	Washer	1
▲		223264	Seal, Rbr, Clsd, 0.25th, 5.8d 03.3h	1
▲		10925	Connector, Fem, 2cav [Mp630 Sealed]	1
▲		24537	Terminal, Fem, 10/12ga [Mp630 P2s]	2

Fig. 2 - Front Wheel Gearbox Breakdown, 1019723



Ref.	Tennant-Part No.	Description	Qty.
▽	1019723	Gearbox, Wheel, 250mm, 24vdc	1
▲▽	1 391259	Tire, Solid, 250mmx90mm Red	1
▲▲	2 391261	Kit, Brush, Motor 1pick=1bag	1
▲▲	3 391262	Kit, Brush, Cover	1
▲▲	4 391263	Seal, Ring	1
▲▲	5 391264	Bearing, Gearbox Side	1
▲▲	6 391265	Bearing, Motor Side	1
▲▽	7 391463	Tire, Solid, 250mmx90mm Grey Pyu	1
▲▲	8 391467	Box, Ele, Connection	1
▲▲	9 391468	Cover, Ele, Connection	1
▲▽	10 398492	Brush, Motor, Ele	2
▲▲	11 372867	Armature	1
▲▲	12 372868	Screw, Wheel	8
▲	13 372869	Brake	1
▲	14 372870	Rotor, Brake	1
▲	15 372871	Adaptor, Brake, Spl	1
▲	16 372872	Sleeve, Rbr	1
▲	17 372877	Brushholder, Ring, Slip	1

Fig. 3 - Steering Control Breakdown, 1019724



Ref.	Tennant-Part No.	Description	Qty.
▽	1019724	Steer-Control Assy, Wheel Drive	1
▲	1 372874	Bearing, Steering	1
▲	2 372875	Chain, Steering	1
▲	3 372876	Link, Master	1
▲	4 372881	Sprocket	1

SECTION 5

CONTENTS	PAGE
PART NUMBER TO PAGE NUMBER CROSS REFERENCE LIST	5-2
PART DESCRIPTION TO PAGE NUMBER CROSS REFERENCE LIST	5-5

CROSS REFERENCE

PART NUMBER TO PAGE NUMBER CROSS REFERENCE LIST

Part Number	Page Number	Part Number	Page Number	Part Number	Page Number
00912	2-13, 2-17	1005435	3-3	1012440	2-11
00928	2-23, 2-25	1005507	3-3	1012505	2-35
01683	3-4	1005508	3-3	1012607	2-43
01684	2-5, 2-7, 2-9, 2-33, 2-49, 2-51, 3-4	1005564	3-3	1012630	2-25
01685	2-9, 2-11, 2-15, 2-17, 2-19, 2-23, 2-25, 2-31, 2-35, 2-49, 2-51, 3-3	1006400	3-3	1012934	2-45
01686	2-13, 2-21, 2-43	1006415	3-3	1012964	2-47
01689	2-51	1008639	2-3, 2-37	1013164	2-13
01699	3-4	1008758	2-23, 2-25	1013278	2-21
01754	2-51	1009268	2-43	1013281	2-21
01760	2-11	1009356	2-21, 2-43	1013356	2-21
01837	4-3	1010160	2-9	1013382	3-3
01856	4-3	1010381	2-9	1013395	2-47
01971	4-3	1010401	2-21, 2-43	1013408	3-3
02076	2-39, 2-41	1010556	2-9	1013411	3-3
02424	2-51	1010560	2-3, 2-23, 2-25, 2-45, 2-47	1013432	2-33, 4-3
02892	3-3	1010771	2-39, 2-41	1013515	2-43
02942	2-21, 2-43	1010876	2-27, 2-29	1013531	2-3, 2-23
04417	2-13, 2-43	1010895	2-21	1013532	2-23
06922	2-49, 2-51	1011093	2-33	1013560	2-23
06958	2-19	1011103	2-33	1013599	2-23, 2-25
07514	2-19, 2-51	1011127	2-33	1013603	2-11
07515	2-9, 2-33, 3-4	1011140	2-33	1013611	2-3, 2-33
07785	2-33, 2-49	1011159	2-33	1013763	2-15
07786	2-51	1011212	2-25	1013821	2-23, 2-25
07787	2-43	1011317	2-27, 2-29	1013898	2-19
08182	2-43	1011334	2-27, 2-29	1013939	2-15
08709	2-13	1011344	2-27, 2-29	1013970	2-45
08711	2-13	1011344	2-27, 2-29	1013974	2-47
08712	2-9, 2-23, 2-25, 2-33, 2-51	1011376	2-3, 2-25	1014072	2-35
08713	2-11, 2-23, 2-25, 2-27, 2-29, 2-31, 2-45, 2-47, 2-51	1011536	2-31	1014076	2-21
08714	2-21	1011561	2-3, 2-43	1014080	2-15
08716	2-9, 2-33, 2-51	1011562	2-19	1014203	3-3
09005	2-9	1011704	2-51	1014228	2-23
09010	2-9, 2-15, 2-19, 2-31	1011717	2-27, 2-29	1014254	3-3
09011	2-17, 2-23, 2-25, 2-45, 2-47	1011719	2-27, 2-29	1014265	3-3
09023	2-11, 2-51	1011735	2-15	1014268	2-3, 2-37
09028	2-21	1011752	2-31	1014274	2-3, 2-37
09146	2-51	1011753	2-31	1014276	3-3
09739	3-4	1011852	2-35	1014282	3-3
09740	2-11, 2-13, 2-19, 2-23, 2-25, 2-31, 2-33, 2-35, 2-37, 2-39, 2-41, 2-49, 2-51, 3-3	1011853	2-31	1014295	3-3
09741	2-43	1011865	2-19	1014303	2-23, 2-25
09746	2-21	1011880	2-19	1014318	2-9
09770	2-21	1011885	2-35	1014328	2-13
1000083	2-23, 2-25	1011951	2-19	1014346	2-5
1001468	2-45	1011952	2-15	1014527	3-4
1001992	2-31	1011955	2-19	1014548	2-19
1002898	3-3	1011957	2-19	1014564	3-4
1002899	3-3	1011970	2-19	1014582	2-19
		1011971	2-31	1014617	3-3
		1012002	2-13	1014668	2-19
		1012055	2-31	1014711	2-33
		1012068	2-15	1014776	2-25
		1012087	3-3	1014825	2-35
		1012197	2-15	1014858	2-33
		1012359	2-25	1014910	2-15
		1012372	2-35	1014974	3-3
		1012427	2-43	1015039	2-39, 2-41
		1012437	2-13	1015167	2-58

CROSS REFERENCE

Part Number	Page Number	Part Number	Page Number	Part Number	Page Number
1015170	3-4	1017957	2-5, 2-7	222516	2-31, 2-35
1015405	2-35	1018032	2-31	222529	2-31
1015406	2-11	1018034	2-31	222682	2-39, 2-41
1015413	2-21	1018151	2-11	222683	2-51
1015415	2-15	1018377	2-5	222793	2-37
1015455	3-3	1018455	2-7	222846	2-41
1015506	2-33	1018457	2-5	223065	2-13
1015761	2-17	1018504	3-3	223072	2-13
1015803	2-33	1018505	2-9	223078	2-11
1015808	2-33	1018546	2-51	223264	4-3
1015842	3-3	1018559	2-23, 2-25	223330	2-11
1015911	2-45, 2-47	1018561	2-13	223356	2-39, 2-41
1015921	2-3, 2-31	1018725	2-43	223364	2-39, 2-41
1015989	2-27, 2-29	1019083	2-49	24196	3-4
1016000	2-11	1019218	2-49	24199	2-19, 2-49
1016054	2-58	1019224	2-17	24299	2-5, 2-7
1016056	2-58	1019268	2-23	24537	4-3
1016392	2-3, 2-31	1019563	2-3, 2-37	24584	3-3
1016430	2-11, 2-31, 2-35	1019706	2-13	24698	3-3
1016435	2-11, 2-31, 2-35	1019723	2-17, 4-4	25005	2-51
1016520	2-23, 2-25, 3-3	1019724	2-17, 4-5	25537	2-11
1016539	2-11	1019766	2-19	25830	2-17
1016553	2-11, 3-3	1019879	2-35	25837	2-17
1016633	2-7	1020105	2-39, 2-41	26395-2	3-3
1016634	2-7	1020168	2-43, 2-51	26426	3-3
1016639	2-43	1020170	2-11	28281	2-19
1016644	2-11	1020182	2-43	30013	3-3
1016743	2-11	1020292	2-35	31988	2-51
1016789	2-15	1020301	2-3, 2-31	32490	2-51
1016825	2-49	1020317	2-35	32491	2-11
1016855	2-31	1020719	2-3, 2-35	32509	2-19
1016865	2-49	1020727	2-3, 2-35	32520	2-51
1016871	2-31	10632-13	2-9, 3-3	32716	2-43
1016957	2-9	10925	4-3	32746	2-5, 2-7
1017015	3-3	10928	2-11	32982	2-49, 2-51
1017053	2-11	12138	2-43	32984	2-51
1017054	2-11	130040	3-4	331040	3-7
1017062	2-39	130717	3-4	331041	3-7
1017218	2-9, 2-11, 2-23, 2-25, 2-31, 2-33, 2-35, 2-39, 2-41, 2-51	130871	3-5	331042	3-7
1017386	3-3	140026	2-35	331043	3-7
1017462	2-27, 2-29	140027	2-23, 2-25, 2-45, 2-47	33932	2-19
1017495	2-27, 2-29	140932	2-35	360943	2-5, 2-7
1017534	2-29	14432	2-37	361144	2-15
1017553	2-23, 2-25	15539	2-5, 2-7	361339	2-17
1017590	2-31	15648	2-19	363087	2-21
1017607	2-31	15675	2-23, 2-25, 2-31, 2-35	363503	2-23, 2-25
1017653	2-29	15678	2-9	367770	2-33
1017670	2-31	18188	3-3	370092	2-7
1017688	2-9	18628	4-3	370095	2-5, 2-7
1017699	2-11	19064	2-51	3701.6	2-49
1017705	2-31	19066	2-17, 2-33	370113	2-31
1017754	2-49	20170	2-51	370114	2-3
1017785	2-27, 2-29	222027	2-21	372867	4-4
1017807	2-51	222210	2-21	372868	4-4
1017812	2-49	222280	2-39	372869	4-4
1017832	2-27	222290	2-51	372870	4-4
1017880	2-49	222460	2-23, 2-25, 2-45, 2-47	372871	4-4
1017910	2-27	222463	2-31	372872	4-4
		222504	2-27, 2-29	372874	4-5
		222505	2-27, 2-29	372875	4-5

CROSS REFERENCE

Part Number	Page Number	Part Number	Page Number	Part Number	Page Number
372876	4-5	398511	4-3	89048	2-5
372877	4-4	398512	4-3	89049	2-5
372878	2-23, 2-25	398514	4-3	9000139	2-45
372879	2-23, 2-25	398516	4-3	9000145	2-47
372880	2-23, 2-25	398517	4-3	9000581	3-4
372881	4-5	398770	2-35	9001004	3-6
372883	4-3	40678-1	2-9, 2-11, 2-17	9001225	2-49
372884	4-3	40678	2-31, 2-35	9001240	3-3
372885	4-3	41186	2-23, 2-25	94877	2-43
372886	4-3	41578	2-35	96184	2-43
372887	4-3	41619	2-43		
372888	4-3	43555	3-3		
372889	4-3	45962	2-39		
372890	4-3	46820	2-13		
375411	2-11	49263	2-17, 2-39, 2-41		
377349	2-35	49694	2-27, 2-29		
377367	2-23, 2-25	49697	2-35		
378983	4-3	54333	2-35, 3-3		
379013	2-5	54345	2-51		
379016	2-7	55248	2-49		
37929	4-3	56799	3-3		
383720	2-51	57048	2-21		
383722	2-51	579211	2-49		
385685	2-31, 2-35	58670	2-51		
390922	2-3, 2-47	600437	2-51		
390923	2-3, 2-47	603235	3-5		
390934	2-3, 2-47	603331	2-51		
390936	2-3, 2-45	60387	4-3		
390942	2-3, 2-45	604281	3-5		
390943	2-3, 2-45	604282	3-5		
391259	4-4	605385	2-31		
391261	4-4	607775	3-3		
391262	4-4	61297	4-3		
391263	4-4	61913	3-4		
391264	4-4	630447	2-19		
391265	4-4	63248-1	2-7		
391334	2-3	63248-2	2-7		
391377	2-3, 2-45	63248-3	2-7		
391378	2-3, 2-45	63248-4	2-7		
391379	2-3, 2-47	64154	2-13		
391380	2-3, 2-47	64778	3-3		
391383	2-3, 2-47	67767	2-35		
391384	2-3, 2-45	69234	2-13, 2-51		
391385	2-3, 2-47	69461	2-11		
391386	2-3, 2-45	72969	2-15		
391403	2-31	73468	2-35		
391463	4-4	75939	2-51		
391467	4-4	76062	2-51		
391468	4-4	76426	2-49		
391912	2-57	77270	2-31		
391913	2-57	78950	2-17		
391914	2-17	78952	2-17		
391915	2-51	79381	2-33, 2-37		
391916	2-51	80491	2-33		
39349	2-13, 2-51	86379	2-51		
39658	2-51	86859	2-3, 2-27, 2-29		
397255	2-31	86866	2-21, 2-43		
397907	2-39, 2-41	87435	2-39, 2-41		
397908	2-39, 2-41	89046	2-5		
398492	4-4	89047	2-5		

PART DESCRIPTION TO PAGE NUMBER CROSS REFERENCE LIST

A

Actuator, 36vdc, 02.0stroke 300lb, 2-45
 Actuator, 12vdc, 40mm Strk 750n, 2-43
 Actuator, 24vdc, 100mm Strk 2700n, 2-21
 Adaptor, Brake, Spl, 4-4
 Adaptor, Hose, 2-33
 Angle, Spacer, Battery, 2-39
 Angle, Sppt, Battery, 2-39, 2-41
 Angle, Sppt, Tank, 2-31
 Arm Wldt, Accelerator, 2-19
 Arm Wldt, Brake, 2-19
 Arm Wldt, Sqge, Rear, 2-43
 Arm, Lift, Head, 2-21
 Arm, Tank, Retaining, 2-31, 2-35
 Armature, 4-3, 4-4
 Assy.Sqge, Side [Linatex], 2-27, 2-29

B

Basket Kit, Ci, 3-6
 Battery, 06vdc, 235ah, Wet, 2-39
 Battery, 06vdc, 335ah, Wet, 2-41
 Bearing, Flng, 2-Hole, 0.75b [Nyl], 2-13
 Bearing, Gearbox Side, 4-4
 Bearing, Motor Side, 4-4
 Bearing, Motor, Vacfan, 4-3
 Bearing, Steering, 4-5
 Bearing, Thrust, 2-19
 Bellows, Shaft, Steering, 2-13
 Blade, Sqge, Front, 700mm Linatex, 35.0l, 2-3, 2-45
 Blade, Sqge, Front, 700mm Oil-Rstn,35.0l, 2-3, 2-45
 Blade, Sqge, Front, 800mm Linatex, 41.5l, 2-3, 2-47
 Blade, Sqge, Front, 800mm Oil-Rstn,41.5l, 2-3, 2-47
 Blade, Sqge, Rear, 700mm Gum Rbr [37.5l], 2-3, 2-45
 Blade, Sqge, Rear, 700mm Linatex [37.5l], 2-3, 2-45
 Blade, Sqge, Rear, 700mm Oil-Rstn[37.0l], 2-3, 2-45
 Blade, Sqge, Rear, 800mm Linatex [44.0l], 2-3, 2-47
 Blade, Sqge, Rear, 800mm Oil-Rstn[44.0l], 2-3, 2-47
 Blade, Sqge, Rear, Gum Rbr, 800mm[44.0l], 2-3, 2-47
 Block, Guard, 2-27, 2-29
 Block, Pivot, Cover, 2-15
 Boot, 90deg .50d .57d X .84, 2-39, 2-41
 Box, Ele, Connection, 4-4
 Box, Holder [Fast Trimmed], 3-3
 Box, Holder, Std [Trimmed], 2-11
 Bracket Wldt, Light, Flsh, 3-4
 Bracket Wldt, Mtg, Fan, 2-33
 Bracket Wldt, Stand, Jack, 2-9
 Bracket Wldt, Tank, Sppt, 2-31
 Bracket, Battery, 2-39, 2-41

Bracket, End, Fan, 4-3
 Bracket, Lift, 2-21
 Bracket, Mtg, Stop, 2-33
 Bracket, Mtg, Tank, 2-35
 Bracket, Pump, Soltn, 3-3
 Bracket, Retainer, Spring, 2-5, 2-7
 Bracket, Spring, 3-3
 Bracket, Stand-Off, 2-51
 Bracket, Wheel, Guide Obs:09/04, 2-25
 Bracket, Wheel, Guide, 2-23
 Bracket, 4-3
 Brake, 4-4
 Brush Assy, Disk, Scb, 13.0 D, Nyl, 2-5
 Brush Assy, Disk, Scb, 13.0 D, Pyp, 2-5
 Brush Assy, Disk, Scb, 13.0 D, Sab, 2-5
 Brush Assy, Disk, Scb, 16.0 D, Nyl, 2-7
 Brush Assy, Disk, Scb, 16.0 D, Pyp, 2-7
 Brush Assy, Disk, Scb, 16.0 D, Sab, 2-7
 Brush Kit, Motor, Ele, 2-23, 2-25, 4-3
 Brush, Motor, Ele, 4-4
 Brushholder, Ring, Slip, 4-4
 Bushing, Flex, Ure, 2-43
 Bushing, Flng, 0.44b 1.25d 0.25l, 2-21
 Bushing, Flng, 0.50b 0.59d 0.38l, 2-19
 Bushing, Sleeve, 11.9mm D 8.1mm B 6.2mml, 2-19

C

Cable, Ribbon, 2-49
 Cap, Drain Assembly, 2-37
 Cap, Drain Assy, 2-3
 Cap, Motor, 2-23, 2-25
 Cap, Plstc, .04 1.38 X 2.30 0.5l, 2-39
 Cap, Steering Wheel, 2-13
 Cap, Tank, 2-35
 Cap, Vyl, 70mm Id X 25mm L, 2-9
 Caster, Swivel, 50d, M10 X 1.5 X 30 Stem, 2-3, 2-43
 Catch, Cover [T7], 2-35
 Chain, Steering, 4-5
 Channel, Arm, Lower Sqge, 2-43
 Charger "World" 24Vdc/20Amp, 3-5
 Charger 24dc/20a/120ac Redplug, 3-5
 Charger 24vdc 25amp 120ac/60hz, 3-5
 Charger 24Vdc/30Amp/World, 3-5
 Circuitbreaker, 5.0a, 2-51
 Circuitbreaker, 15.0a, 2-51
 Clamp, Cable, Stil, 0.38d X 0.38w, 1h, 3-3
 Clamp, Cable, Stil, 0.44d X 0.62w, 1h, 2-31, 2-35
 Clamp, Cable, Stil, 0.69d X 0.62w, 1h, 2-35
 Clamp, Cable, Stil, 0.88d X 0.62w, 1h, 2-9, 2-11, 2-17
 Clamp, Cable, Stil, 1.00d X 0.62w, 1h, 2-13, 2-51
 Clamp, Hose, Wire, .63 - .66, Blk, 3-3
 Clamp, Hose, Wormdrive, 0.31-0.88d, .31w, 2-35, 3-3

Clamp, Hose, Wormdrive, 1.25-2.00d, .50w, 2-33, 2-37
 Clamp, Hose, Wormdrive, 1.62-3.50d, .56w, 3-3
 Clamp, Hose, Wormdrive, 1.81-2.75d, .56w, 2-37
 Clip, Hanger, Hose, .38d Hole, Ss, 2-37
 Clip, Hose, Gripper, 1.75id, Blk Ny, 2-31
 Clip, Spring Holder Blk Vinyl Coat, 3-3
 Column, Steering, W/Label [T7], 2-15
 Commutator, 4-3
 Conduit, Nylon, .50d 3.0l, 2-35
 Connector, Fem, 2cav [Mp630 Sealed], 4-3
 Connector, Fem, 2cav, 2-17
 Controller Kit, Replmt, [T7], 2-49
 Cover, Box, Battery [Trimmed], 2-11
 Cover, Brush, Ele Motor, 2-23, 2-25
 Cover, Ele, Connection, 4-4
 Cover, Panl, Ele, 2-49
 Cover, Panl, Instmt, 2-15
 Cover, Recvy [Trimmed], 2-31
 Cover, Tank, Soltn [T7], 2-35

D

Detergent Pkg, 2 Liter, Sgl, 365, 3-3
 Device, Centering, 2-5, 2-7
 Diode, Ele, Plug, 2-51
 Driver Assy, Pad, 13.0d, 2-5
 Driver Assy, Pad, 16.0d, 2-7

F

Fan, Vacuum, 5.7, 3s 24v Bpt (See Breakdown), 2-33
 Fan, Vacuum, 5.7, 3s 24v Bpt, 4-3
 Fan, 4-3
 Filter Assy, 50 Mesh, 3-3
 Filter Kit, Vacfan, 2-3
 Filter, Dust, Panl,2.3x04.1x06.0, 2-31
 Fitting, Brs, E90, Pm06/Pf06 Special, 3-3
 Fitting, Brs, Str, Bm06/Pf12, 3-3
 Fitting, Brs, Str, Pf02/Pm06, 3-3
 Fitting, Brs, Tee, Pf02/Pm02/Pm02, 3-3
 Fitting, Plstc, Pipe, Cap, Pf04, 3-3
 Fitting, Plstc, Body, Spray, Pf04, 3-3
 Fitting, Plstc, E90, Bm06/Pm02, Nyl, 3-3
 Fitting, Plstc, E90, Bm08/Pm06, 3-3
 Fitting, Plstc, E90, Bm10/Pm12, 2-35
 Fitting, Plstc, Pf12/Pf12, Bh, 2-35
 Fitting, Plstc, Str, Bm04, Cplg, Fem, 3-3
 Fitting, Plstc, Str, Pm04, Cplg, Mal, 3-3
 Frame Wldt [T7], 2-9
 Frame Wldt, Pedal, 2-19
 Frame, Sqge, 700mm, 2-45
 Frame, Sqge, 800mm, 2-47
 Fuse, .88 X 3.2l 100a 125vac, 2-51

CROSS REFERENCE

G

Gasket, Adapter, 2-33
Gasket, Fltr, Tank, 2-3, 2-31
Gasket, Holder, Cup, 2-11
Gasket, Hourmeter, 2-51
Gasket, Panl, Instmt, Lh, 2-15
Gasket, Panl, Instmt, Rh, 2-15
Gauge, Hourmeter, 12-60vdc, Analog, Rt, 2-51
Gearbox, Wheel, 250mm, 24vdc (See Breakdown), 2-17
Gearbox, Wheel, 250mm, 24vdc, 4-4
Grommet, Rbr, 1.50id, F/ 1.8h, .19matl, 2-9, 3-3
Grommet, Rbr, 1.62id, F/ 1.9h, .13matl, 2-51

H

Harness, Chrgr [T7], 2-51
Harness, Main [T7], 2-57
Harness, Motor, #10-2, 48.0 L, [T7], 2-17
Harness, Power, [T7], 2-51
Harness, Switch, Seat, 2-11
Harness, Tank, [T7], 2-57
Head, Scb, 650mm, 2-23
Head, Scb, 800mm, 2-25
Hinge Wldt, Cover, 2-31
Hinge Wldt, Tank, 2-31
Hinge, Leaf, 2-31
Hinge, Tank, 2-31
Hook, Safety, 2-23, 2-25
Horn, 12-48vdc, 2-9
Hose Assy, Drain, 26.3l, 2-37
Hose Assy, Drain, 29.6l, 2-37
Hose, Afmkt, Pvc, Brd 0.38id 2ft, 3-3
Hose, Afmkt, Pvc, Brd 0.38id 3ft, 3-3
Hose, Afmkt, Pvc, Clr 0.25id 3ft, 3-3
Hose, Drain Assy, 1.5d X 27.8l, Blk, 2-3
Hose, Drain, Assy, 1.5d X 27.0l, Blk, 2-3
Hose, Mold, 2-35
Hose, Vacuum, 1.5d X 43l, Short Cuff, 2-3, 2-31
Hose, Vacuum, 1.5d X 8.3l, Clr, Blk Wire, 2-33
Housing, Impeller, Vacfan, 4-3
Housing, Spring, Sqge Actuator, 2-43
Housing, 4-3
Hub, Drive, Brush, Disk, 0.75b 6t, 2-23, 2-25
Hub, Drive, Brush, Disk, 3bolt/5.8bc 6t, 2-5, 2-7

I

Impeller, Fan, 4-3
Impeller, Vacfan, 4-3
Injector Assy [Fast], 3-3
Insulator, Panel & Switchboard, 2-51
Isolator, Vib, .75d, M6 Stud Both Ends, 2-33

J

Joint, U, .75 Id, 2-13

K

Key, Ignition, 2-15
Key, Sq, 0.19 X 0.19, 1.00l, 2-13, 2-17
Key, Sq, 0.25 X 0.25, 1.00l, 2-23, 2-25
Key, Sq, 05mm X 05mm, 25l, 2-13
Key, Sq, 06mm X 06mm, 60mm L, 2-23, 2-25
Kit, Brush, Cover, 4-4
Kit, Brush, Motor 1pick=1bag, 4-4
Knob, Star, 2.75d 4ear 1.1l M8x1.25 Thru, 2-45, 2-47

L

Label Set, Info/Hzrd, 2-58
Label, Model, Side, White [T7 Fast], 2-58
Label, Model, Side, White [T7], 2-58
Lamp, 24vac, Flsh, 3-4
Latch, Draw, Soft, Rbr W/ Keeper, 2-35
Light Assy, Flsh, 24vdc, 3-4
Light Kit, Flsh, Ci [T7/Ssr], 3-4
Link, Master, 4-5
Link, Sqge, 2-27, 2-29
Lock, Secondary, M/F 2cav, 2-17

M

Manifold, Soltn, 650mm, 2-23
Manifold, Soltn, 800mm, 2-25
Manual Pkg, [T7 Ele Na], 3-7
Manual, Fiche, [T7 Ele Na], 3-7
Manual, Oprtr, [T7 Ele Es Na], 3-7
Manual, Oprtr, [T7 Ele Fr Na], 3-7
Molding, Afmkt, Trim, Pvc, .08-.11, 1ft, 2-43, 2-51
Molding, Afmkt, Trim, Pvc, .08-.11, 2ft, 2-11
Motor, Ele, 24vdc 0.50hp 260rpm, 2-23, 2-25
Mount, Cable Tie, 2-49

N

Nut, Hex, Flexlock, .31-18, 2-39, 2-41
Nut, Hex, Jam, .25-20, 2-51
Nut, Hex, Jam, .31-24, 2-51
Nut, Hex, Jam, M10 X 1.5, Ss, 2-43
Nut, Hex, Lock, .31-18, NI, Thin, 2-11
Nut, Hex, Lock, #06-32, NI, 2-51
Nut, Hex, Lock, M10 X 1.5, NI, Ss, 2-21
Nut, Hex, Lock, M12 X 1.75, NI, Ss, 2-43
Nut, Hex, Lock, M12 X 1.75, NI, 2-13
Nut, Hex, Lock, M3 X .5, Ss, 2-49
Nut, Hex, Lock, M4 X 0.7, NI, Ss, 2-19
Nut, Hex, Lock, M5 X 0.8, NI, Ss, 3-4
Nut, Hex, Lock, M6 X 1.0, Ss, NI, 2-9, 2-23, 2-25, 2-33, 2-51

Nut, Hex, Lock, M8 X 1.25, NI, Ss, 2-11, 2-23, 2-25, 2-27, 2-29, 2-31, 2-45, 2-47, 2-51
Nut, Hex, Lock, M8 X 1.25, NI, 2-13
Nut, Hex, Std, #10-32, Ss, 2-51
Nut, Hex, Std, M10 X 1.5, Ss, 2-43
Nut, Hex, Std, M3 X 0.5, 8, 2-51
Nut, Hex, Std, M6 X 1.0, A2, Ss, 2-33, 2-49
Nut, Hex, Std, M8 X 1.25, Ss, 2-51
Nut, Impeller, Vacfan, 4-3
Nut, Isolator, .25-20 Wall Thk .031-.187, 3-4
Nut, T, M8 X 1.25 X 11.9od X 6.2l, 2-19

P

Pad, Buff, 16.0d, Red, 2-7
Pad, Buff, 13.0d, Red [1pad=1pc], 2-5
Pad, Polish, 13.0d, White [1pad=1pc], 2-5
Pad, Polish, 16.0d, White [1pad=1pc], 2-7
Pad, Rbr, 2-31
Pad, Scb, 16.0d, Blu [1pad=1pc], 2-7
Pad, Scrub, 13.0d, Blue, 2-5
Pad, Stripping, 13.0d, Brown [1pad=1pc], 2-5
Pad, Stripping, 16.0d [Hi Prod 1pad=1pc], 2-7
Pad, Stripping, 16.0d, Brown [1pad=1pc], 2-7
Panel, Instmt, Lh, 2-15
Panel, Instmt, Rh, 2-15
Panel, Wldt, Cntrl, 2-49
Pedal, Rest, Foot, 2-19
Pin, Clevis, 10mm X 40l, 2-21, 2-43
Pin, Clevis, 0.62 D X 2.12l, 2-21
Pin, Clevis, 10d X 50l, 2-43
Pin, Clevis, 12d X 100l, PI, 2-43
Pin, Clevis, 12mm D X 90mm L, 2-21
Pin, Clevis, 16d X 150l, 2-21, 2-43
Pin, Cotter, .125 X 1.00, 2-43
Pin, Hair Cotter, 0.38 D .072 Wir, 2-21, 2-43
Pin, Hair Cotter, 0.62 D .120 Wir, 2-21, 2-43
Pin, Hitch, .312d X 1.62l, 2-27, 2-29
Pivot, Tube, 2-19
Plate Wldt, Seal, Tank, 2-31
Plate Wldt, Sqge, Retainer, 700mm, 2-45
Plate Wldt, Sqge, Retainer, 800mm, 2-47
Plate, Accelerator, 2-19
Plate, Arm, Cntr, Lift, Scb Head, 2-21
Plate, Brake, 2-19
Plate, Cover, Tab [T7], 2-35
Plate, Hinge, 2-31
Plate, Holder, Cup, 2-11
Plate, Mtg, Fan, 2-33
Plate, Mtg, Tank, 2-33
Plate, Orifice, 0.008, 3-3
Plate, Seat, W/ Label, 2-11
Plate, Sppt, 2-23, 2-25
Plate, Stop, Seat, 2-11

Plug, Orifice, .033, 3-3
 Pump, Soltn, Ele, 24vdc, 3-3

R

Rail, Adj, Slide, Seat, 11.5l, W/ Latch, 2-11
 Rail, Adj, Slide, Seat, 11.5l, 2-11
 Relay, 24vdc, 100a, Sp N/O [White], 2-51
 Retainer, Skirt, 650mm, 2-23
 Retainer, Skirt, 800mm, 2-25
 Retainer, Spring, 2-27, 2-29
 Retainer, Sqge, Lh, 2-29
 Retainer, Sqge, Rh, 2-27
 Ring, Retaining, Ext, 1.00D, Basic, 2-9
 Rivet, Blind, .125d X 0.38 X .25d, Alm, 3-3
 Rivet, Blind, .156d X 0.46 X .31, Ss, 2-35
 Rivet, Plstc, .181d X 0.720, 2-15
 Rod, Thrd, Full, .25-20 01.0l, 2-51
 Rotor, Brake, 4-4

S

Screen, 300 Mesh, Fused Bronze, 3-3
 Screw, Btn, M8 X 1.25 X 25, 10.9, Blk, 2-11, 2-31, 2-35
 Screw, Flt, M8 X 1.25 X 20, Blk, 2-31
 Screw, Hex, .25-20 X 0.50, NI, 2-51
 Screw, Hex, .25-20 X 1.25, Ss, 3-4
 Screw, Hex, M10 X 1.5 X 25, Ss, NI, 2-21
 Screw, Hex, M10 X 1.5 X 25, Ss, 2-21
 Screw, Hex, M10 X 1.5 X 60, Ss, 2-13, 2-43
 Screw, Hex, M10 X 1.5 X 90, Ss, 2-21
 Screw, Hex, M12 X 1.75 X 120, 8.8, 2-43
 Screw, Hex, M4 X 0.7 16 Fmg, Ss, 2-23, 2-25, 3-3
 Screw, Hex, M4 X 0.7 X 50, Ss, 2-19
 Screw, Hex, M5 X 0.8 X 16, Ss, 2-19, 2-49
 Screw, Hex, M6 X 1.0 X 16, Fmg, 2-17
 Screw, Hex, M6 X 1.0 X 16, Ss, 2-9
 Screw, Hex, M6 X 1.0 X 20, Ss, 2-9, 2-33, 2-51
 Screw, Hex, M8 X 1.25 X 16, Ss, 2-23, 2-25, 2-31, 2-35
 Screw, Hex, M8 X 1.25 X 20, Ss, 2-11, 2-13, 2-19, 2-23, 2-25, 2-31, 2-33, 2-35, 2-37, 2-39, 2-41, 2-49, 2-51, 3-3
 Screw, Hex, M8 X 1.25 X 25, Ss, 2-9, 2-15, 2-19, 2-31
 Screw, Hex, M8 X 1.25 X 30, Ss, 2-17, 2-23, 2-25, 2-45, 2-47
 Screw, Hex, M8 X 1.25 X 35, Ss, Fl, 2-11, 2-51
 Screw, Hex, M8 X 1.25 X 45, Ss, 2-27, 2-29
 Screw, Hex, M8 X 1.25 X 50, Ss, 2-27, 2-29
 Screw, Hex, M8 X 1.25 X 55, Ss, 2-27, 2-29
 Screw, Hex, M8 X 1.25 X 60, Ss, 2-31
 Screw, Hex, M8 X 1.25 X 80, 8.8, 2-19
 Screw, Pan, .31-18 X 0.75, 2, 2-11

Screw, Pan, #06-32 X 0.38, Phl Ss Shtmtl, 2-49
 Screw, Pan, #06-32 X 1.00, 1, 2-51
 Screw, Pan, #10-14 X 0.75, F/Plstc, 2-5, 2-7
 Screw, Pan, M3 X 0.5 X 12, 4.8, 2-51
 Screw, Pan, M3 X 0.5 X 20, 4.8, 2-49, 2-51
 Screw, Pan, M4 X 0.7 X 8, Ss, 2-31
 Screw, Pan, M4 X 0.7 X 10, Ss, 2-35
 Screw, Pan, M5 X 0.8 X 20, Ss, 3-4
 Screw, Pan, M5 X 16, F/ Plstc, 2-33
 Screw, Pan, M6 X 1.0 X 12, Ss, 2-23, 2-25
 Screw, Pan, M6 X 1.0 X 16, Ss, 2-33
 Screw, Pan, M6 X 1.0 X 35, Ss, 2-5, 2-7
 Screw, Set, .31-18 X 0.38, NI, 2-13
 Screw, Set, M6 X 1.0 X 30, Ss, 2-23, 2-25
 Screw, Wheel, 4-4
 Seal, Afmkt, Bulb, Clsd Cell, Adh, 8ft, 2-3, 2-31, 2-35
 Seal, Cover, Recvy, 2-3, 2-33
 Seal, Cut, 2-49
 Seal, Fan, 2-33
 Seal, Rbr, Clsd, 0.25th, 5.8d 03.3h, 4-3
 Seal, Rbr, 2-11, 3-3
 Seal, Ring, 4-4
 Seal, Strip, Adh, 2-49
 Seal, Wire, 14ga, 2-17
 Seat, Std, 2-11
 Sensor, Level, Liquid, 14vdc 01a .62-11, 2-31, 2-35
 Sensor, 2-19
 Shaft, Drive, Brush, 2-23, 2-25
 Shaft, Steering, Wheel, 2-13
 Shell, Fan, 4-3
 Skirt, Spray, 650mm, 2-3, 2-23
 Skirt, Spray, 800mm, 2-3, 2-25
 Sleeve, Afmkt, Nyl, #13, 1ft, 2-39, 2-41
 Sleeve, Afmkt, Nyl, #13, 3ft, 2-17
 Sleeve, P/, 0.49D 0.318B 0.50L 430Ss, 2-23, 2-25
 Sleeve, P/M, 0.375d 0.250b 0.16l 430ss, 2-33
 Sleeve, P/M, 0.437d 0.318b 0.57l 430ss, 2-11
 Sleeve, P/M, 0.496d 0.318b 0.31l 430ss, 2-31, 2-35
 Sleeve, P/M, 0.496d 0.318b 0.50l 430ss, 2-45, 2-47
 Sleeve, P/M, 0.496d 0.318b 1.375 Ss, 2-27, 2-29
 Sleeve, P/M, 0.625d 0.318b 1.00 L 430ss, 2-27, 2-29
 Sleeve, P/M, 18.5d 10.5b 34l 430 Ss, 2-21
 Sleeve, Rbr, 4-4
 Spacer, Charger Plug, 2-51
 Spacer, Seal, Tank, 2-31
 Spacer, 4-3
 Spring, Brg, Motor, Vacfan, 4-3
 Spring, Cmpr, 0.85od .08wir 2.0l, 2-31
 Spring, Cmpr, 20mm D X 44mm L, 2-43
 Spring, Extn, 0.50od X 0.04wir, 4.0l, 3-3
 Spring, Extn, 0.55od X 0.07wir, 3.0l, 2-19
 Spring, Extn, 0.75od X 0.11wir, 4.5l, 2-43

Spring, Lift, Head, Scb, 2-21
 Spring, Retaining, Brush, 2-5, 2-7
 Spring, Tors, 0.49id .05wir 05.0coil, 2-11
 Spring, Tors, 2-27, 2-29
 Sprocket, 4-5
 Squeegee Assy, Side [Linatex], 2-3
 Squeegee Assy, Side, 2-3
 Squeegee Kit, 650mm, Ci [T7/Ssr], 2-45
 Squeegee Kit, 800mm, Ci [T7/Ssr], 2-47
 Squeegee Kit, Oil-Rstn, 700mm, 2-3, 2-45
 Squeegee Kit, Oil-Rstn, 800mm, 2-3, 2-47
 Squeegee Kit, Tile, 700mm, 2-3, 2-45
 Squeegee Kit, Tile, 800mm, 2-3, 2-47
 Stabilizer Wldt, 2-9
 Steer-Control Assy, Wheel Drive (See Breakdown), 2-17
 Steer-Control Assy, Wheel Drive, 4-5
 Strainer, Soltn, 80mesh Cyl 1.3d 3.5l, 2-35
 Strap Assy, Sqge, 700mm, 2-45
 Strap Assy, Sqge, 800mm, 2-47
 Strap, Drain Cap, 2-3, 2-37
 Strap, Nyl, 2-17
 Strap, Static, 2-9
 Strap, 2-39, 2-41
 Support Wldt, Actuator, 2-51
 Support Wldt, Sqge, Lh, 2-29
 Support Wldt, Sqge, Rh, 2-27
 Support Wldt, Steering, 2-13
 Support, Circuitboard, 2-49
 Switch, Key, 2-15
 Switch, Rocker, 24vdc Spst, Paddle, 2-15
 Switch, Rocker, 250vac 15a Spst On/Off, 3-4
 Switch, Safety, Shutoff, 2-15
 Switch, Seat, No, 2-11
 Switch, Snap Actn, 250vac 16a Rlr, 2-51

T

Tank, Recvy. W/Label [T7 FaST], 2-31
 Tank, Recvy, W/Label [T7], 2-31
 Tank, Soltn, W/ label [T7], 2-35
 Terminal, Fem, 10/12ga [Mp630 P2s], 4-3
 Terminal, Fem, 20/22ga, 2-17
 Tie, Cable, Nyl, 06.0L .12W, 3-4
 Tie, Cable, Nyl, 11.4l .19w 3.0 Max D, 2-17, 2-39, 2-41
 Tire Assy, Solid, 250mmx80mm, 25mm Id, 2-9
 Tire, Solid, 250mmx90mm Grey Pyu, 4-4
 Tire, Solid, 250mmx90mm Red, 4-4
 Tube, Stand-Off, 2-19

V

Valve, Air Vent, Float Type, 3-3
 Valve, Check, Bm04/Pm04, 2psi, 3-3
 Valve, Check, Bm06/Bm06, 5psi, 3-3
 Valve, Water, Solenoid, 24vdc, 10bm/10bm, 2-23, 2-25

CROSS REFERENCE

W

Washer #6 Flt Sae Zn, 2-35
Washer, Belleville, .31, 2-23, 2-25
Washer, Flat, #06 Ss, 2-35
Washer, Flat, #06, 2-51
Washer, Flat, #10 Ss, 3-4
Washer, Flat, #10, 2-17, 2-33
Washer, Flat, 0.12b 0.38d .03, Stl, Pl, 3-3
Washer, Flat, 0.14b 0.31d, Nyl, 2-49
Washer, Flat, 0.25 Ss, 2-5, 2-7, 2-9, 2-33,
2-49, 2-51, 3-4
Washer, Flat, 0.25 Std, 2-51
Washer, Flat, 0.31 Fender, 3-3
Washer, Flat, 0.31 Sae, 2-13, 2-51
Washer, Flat, 0.31 Ss, 2-9, 2-11, 2-15,
2-17, 2-19, 2-23, 2-25, 2-31, 2-35,
2-49, 2-51, 3-3
Washer, Flat, 0.31 Std, 2-11
Washer, Flat, 0.321b 1.00d .12, Ss, 2-9,
2-11, 2-23, 2-25, 2-31, 2-33, 2-35,
2-39, 2-41, 2-51
Washer, Flat, 0.33b 1.38d .075, Ss, 2-27,
2-29
Washer, Flat, 0.34b 0.75d .12, Viton, 3-3
Washer, Flat, 0.35b 0.75d .04, Ss, 2-23,
2-25, 2-45, 2-47
Washer, Flat, 0.38b 0.88d .12, Stl, Pl, 2-11
Washer, Flat, 0.44b 0.88d .06, Nyl, 2-11
Washer, Flat, 0.44b 1.00 .08, Ss, 2-13,
2-21, 2-43
Washer, Flat, 0.52b 0.75d .06, Stl, Blk,
2-11, 2-31, 2-35
Washer, Flat, 0.53b 1.12d .11, Stl, Pl, 2-13
Washer, Flat, 0.53b 2.13d .11, Stl, Pl, 2-21
Washer, Flat, 0.56b 1.38d .11, Ss, 2-43
Washer, Flat, 0.69b 1.50d .05, Ss, 2-31
Washer, Flat, M12.7 X 25.4 X 0.8 Ny, 2-19
Washer, Lock, Int, .25, Ss, 2-9, 2-33, 3-4
Washer, Lock, Int, .31, 2-51
Washer, Lock, Int, #04, 2-51
Washer, Lock, Int, #10, Ss, 2-19, 2-51
Washer, Lock, Int, 0.25, 2-49, 2-51
Washer, Sealing, 0.28b 0.75d Ss/Neo,
2-49
Washer, 4-3
Wheel, Bmpr, 80d X 25w, Non-Marking,
2-3, 2-45, 2-47
Wheel, Bumper, 80d X 25w, Non-Marking,
2-23, 2-25
Wheel, Steering, 300mm, 2-13
Wire Assy, Cable, 4ga, Red, 2-39, 2-41
Wire, 04ga 12.0l Blk .34ring /.34ring,
2-39, 2-41
Wire, 04ga 16.0l Blk .34ring /.34ring,
2-39, 2-41